

## 9300 ECOLO-TIGER MULCH CHISEL

## 04-01 WARNING AND TAILLIGHT KIT

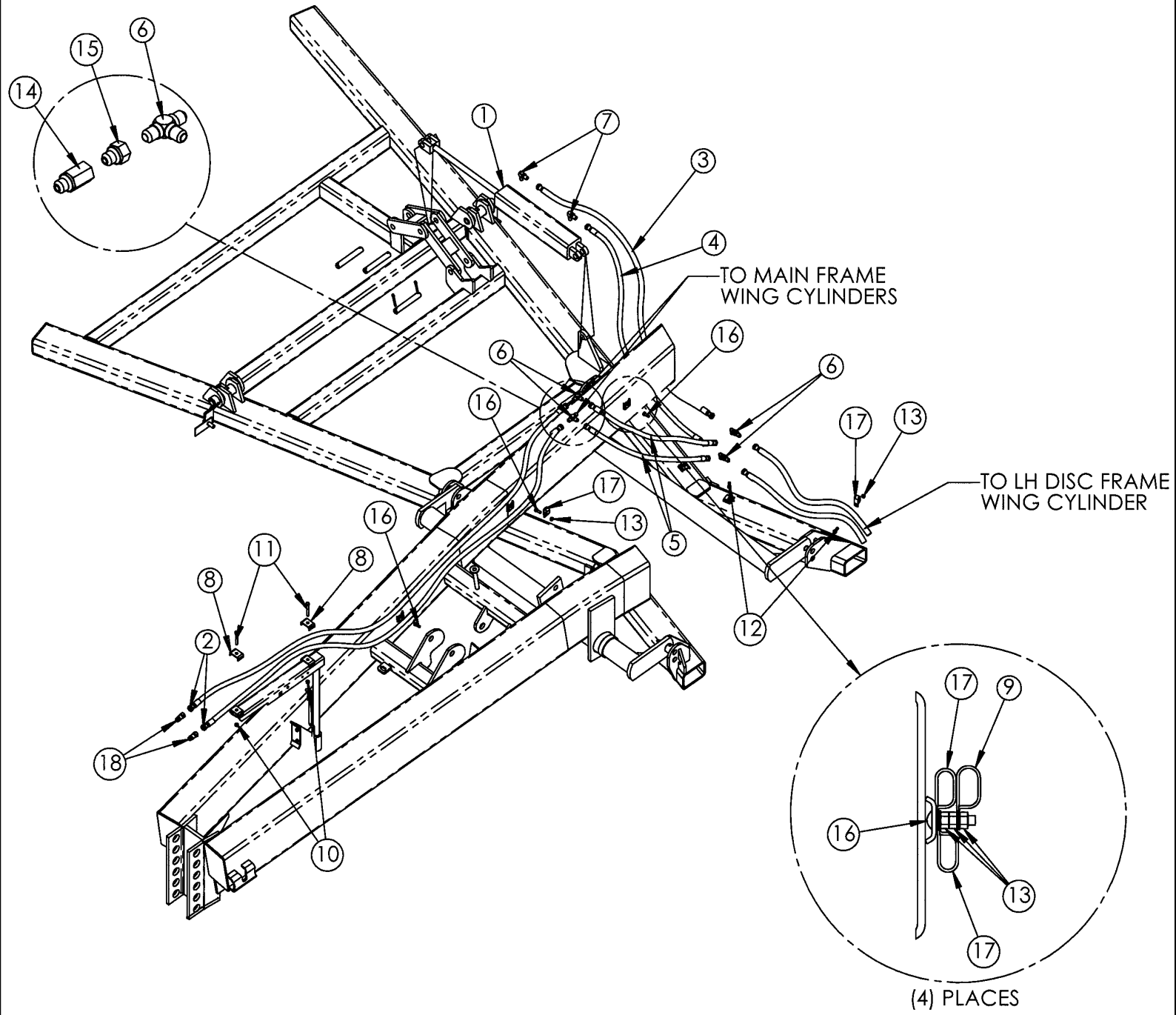
сылка	Номер детали	Кол-во	Описание
	27603330	1	LIGHT, WARNING, Kit, Inc. 2 - 11
2	27602313	1	HARNESS, WIRE, Front
3	27602224	1	HARNESS, Rear
4	27602201	2	LIGHT ASSY., Amber
5	27602202	2	LIGHT ASSY., Red
6	413-420	16	BOLT, Hex, 1/4"-20 x 1 1/4", G5,
7	413-412	2	BOLT, Hex, 1/4"-20 x 3/4", G5, Full Thd,
8	86992211	18	NUT, LOCK, 1/4, NC, Stover
9	30007000		UAR STRAP, CABLE, .350" x 20.9", 20, Tie
11	27601214	1	HOLDER, Plug Storage
12	87454251	1	BRACKET, Light Arm, Rh, Inc. 17 - 19, Used On 2006 And Prior Models
13	87454250	1	BRACKET, Light Arm, Lh, Incl 17 - 19, Used On 2006 And Prior Models
14	27602400	2	SUPPORT, Light Bracket, Short, Used On 2006 And Prior Models
15	27602410	1	BRACKET, Light Assembly, Lh, Inc. 16 - 19, Short, Used On 2006 And Prior Models
15	87328901	1	BRACKET, Light Assembly, Lh, Inc. 16 - 19, Short, Used On 2007 And After Models
15	27602415	1	BRACKET, Light Bracket, Rh, Inc. 16 - 19, Short, Used On 2006 And Prior Models
15	87328899	1	BRACKET, Light Bracket, Rh, Inc. 16 - 19, Short, Used On 2007 And After Models
16	87328897	1	BRACKET, Light Bracket, Rh, Inc. 17 - 19, Long, Used On 2007 And After Models
16	87328898	1	BRACKET, Light Bracket, Lh, Inc. 17 - 19, Long
17	311863A1	4	REFLECTOR, Red
18	311865A1	4	REFLECTOR, Flourescent
19	311864A1	4	REFLECTOR, Yellow
20	413-1028	4	BOLT, Hex, 5/8"-11 x 1 3/4", G5,
21	16309091	2	U-BOLT, 3/8 x 4 x 4
22	86992216	4	NUT, LOCK, 5/8, NC, Hex
23	86992213	4	NUT, LOCK, 3/8, Stover
24	413-616	2	BOLT, Hex, 3/8"-16 x 1", G5, Full Thd,
25	87039402	2	NUT, LOCK, 3/8"-16, GB,



## 9300 ECOLO-TIGER MULCH CHISEL

## 08-01 MAIN FRAME HYDRAULICS

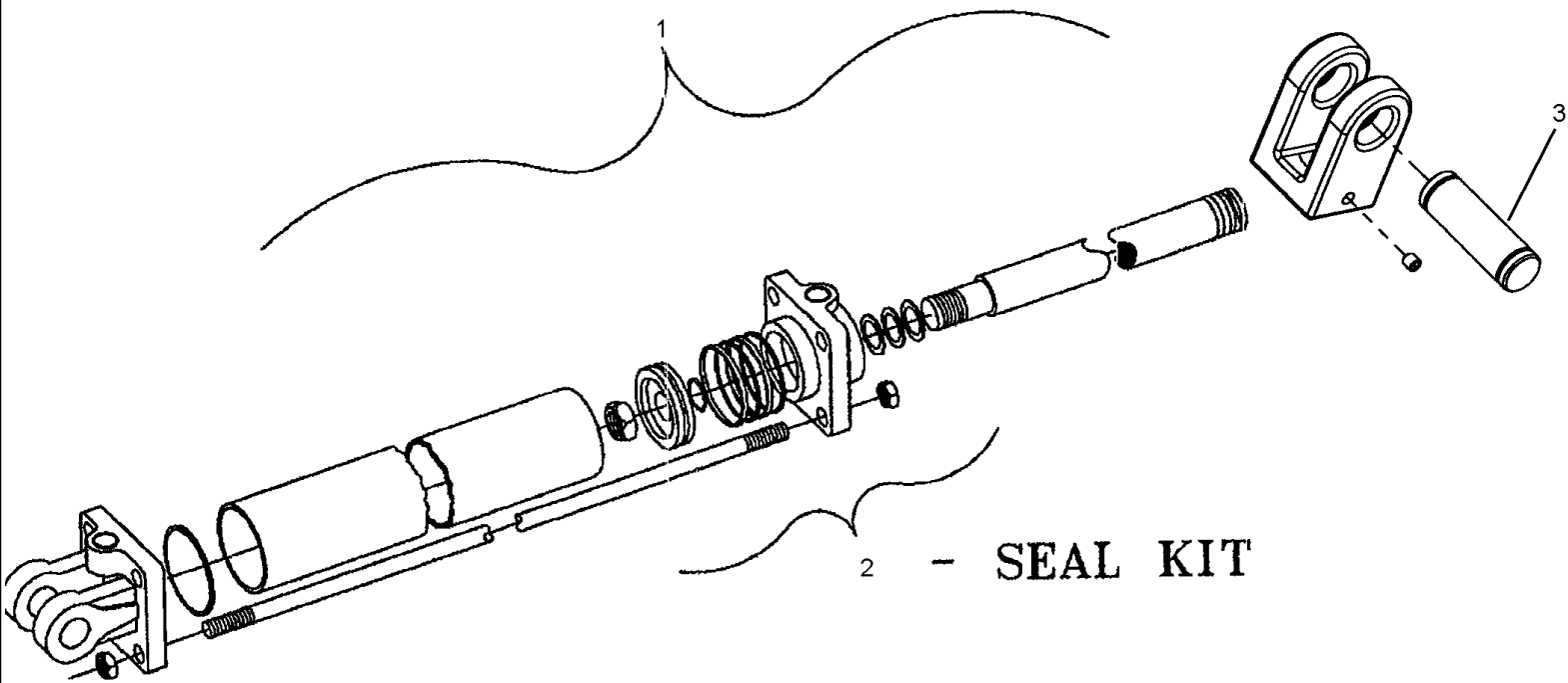
сылка	Номер детали	Кол-во	Описание
1	25330081	1	CYLINDER ASSY., 3 x 8, 3000 p.s.i.
2	25335162	2	CYLINDER ASSY., 3-1/2 x 16, 3000 p.s.i.
3	25340123	2	CYLINDER ASSY., 4 x 12, 3000 p.s.i.
4	25610701	2	HOSE ASSY., 3/8 x 310
5	25610849	2	HOSE ASSY., 1/2 x 260
6	25610709	2	HOSE ASSY., 3/8 x 233
7	25610710	2	HOSE ASSY., 3/8 x 164
8	25600607	2	HOSE ASSY., 3/8 x 76
9	25600670	2	HOSE ASSY., 3/8 x 68
10	25600735	2	HOSE ASSY., 3/8 x 82
11	25600643	1	HOSE ASSY., 3/8 x 44-1/2
12	25600622	1	HOSE ASSY., 3/8 x 22
13	25600711	1	HOSE ASSY., 3/8 x 93
14	25600692	2	HOSE ASSY., 3/8 x 108
15	25600607	3	HOSE ASSY., 3/8 x 76
16	25600720	1	HOSE ASSY., 3/8 x 90
17	25600662	1	HOSE ASSY., 3/8 x 72
18	25600681	2	HOSE ASSY., 3/8 x 121
19	25600726	1	HOSE ASSY., 3/8 x 130-1/2
20	25600716	1	HOSE ASSY., 3/8 x 139-1/2
22	22510700	12	CLAMP, HOSE, 5/8
23	22510710	5	CLAMP, HOSE, 3/4
24	06200125	8	CLAMP, HOSE,
25	22530601	2	CLAMP, HOSE, Double
26	25405013	2	VALVE, CONTROL, Purple
27	25707534	2	ADAPTER, 3/4 SAEM x 3/4 JICF
28	218-594	8	TEE, 3/4"-16, 37e,
29	218-5183	4	TEE, 3/4"-16, 37e x 3/4"-16, O-Ring Br,
30	218-5106	5	ELBOW, 90e, 3/4"-16, 37e x 3/4"-16, O-Ring,
31	218-5136	1	ELBOW, 45e, 3/4"-16, 37e x 3/4"-16, O-Ring,
32	218-5230	4	ELBOW, 90e, 3/4"-16, 37e x 3/4"-16, 37e Fem Sw,
33	09967021	2	KIT, Cylinder Stop
34	14810251	5	PIN, HEADED, 5/8 x 3-1/8, Clevis
35	14720411	8	PIN, SPLIT (COTTER), 1/8 x 2, Hair
36	413-664	2	BOLT, Hex, 3/8"-16 x 4", G5,
38	413-624	2	BOLT, Hex, 3/8"-16 x 1 1/2", G5,
39	86992213	17	NUT, LOCK, 3/8, NC, Stover
40	134-3	3	BOLT, CARRIAGE, Short NK, 3/8"-16 x 2", G2, Full Thd,
41	433-616	5	BOLT, CARRIAGE, Short NK, 3/8"-16 x 1", G5,
45	25800010	1	CYLINDER, Stroke Control, 1-1/4
46	09900240W	1	KIT, Stroke Control, 1-1/2, Red
47	09967003W	1	KIT, Stroke Control, Large, Red
48	09650207	1	STAY, Cylinder
49	25705041	8	COUPLING, Male ISO, 3/4 SAEF, Hydraulic



## 9300 ECOLO-TIGER MULCH CHISEL

## 08-02 DISC HYDRAULICS

сылка	Номер детали	Кол-во	Описание
1	25330160	2	CYLINDER ASSY., 3 x 16, 3000 p.s.i.
2	25610709	2	HOSE ASSY., 3/8 x 233
3	25600670	2	HOSE ASSY., 3/8 x 68
4	25600664	2	HOSE ASSY., 3/8 x 60
5	25600614	2	HOSE ASSY., 3/8 x 36
6	218-594	4	TEE, 3/4"-16, 37e,
7	218-5106	4	ELBOW, 90e, 3/4"-16, 37e x 3/4"-16, O-Ring,
8	06200125	2	CLAMP, HOSE,
9	22510710	3	CLAMP, HOSE, Cushioned, 1/2 ID, Main Lift
10	86992213	2	NUT, LOCK, 3/8, NC, Stover
11	413-636	2	BOLT, Hex, 3/8"-16 x 2 1/4", G5,
12	433-616	4	BOLT, CARRIAGE, Short NK, 3/8"-16 x 1", G5,
13	86992213	7	NUT, LOCK, 3/8, NC, Stover
14	25405013	2	VALVE, CONTROL, Purple
15	25707534	2	ADAPTER, 3/4 SAEM x 3/4 JICF
16	134-3	3	BOLT, CARRIAGE, Short NK, 3/8"-16 x 2", G2, Full Thd,
17	22510700	7	CLAMP, HOSE, Cushioned, 5/8 ID
18	25705041	2	COUPLING, Male, ISO 3/4 SAEF, Hydraulic



GS07F004

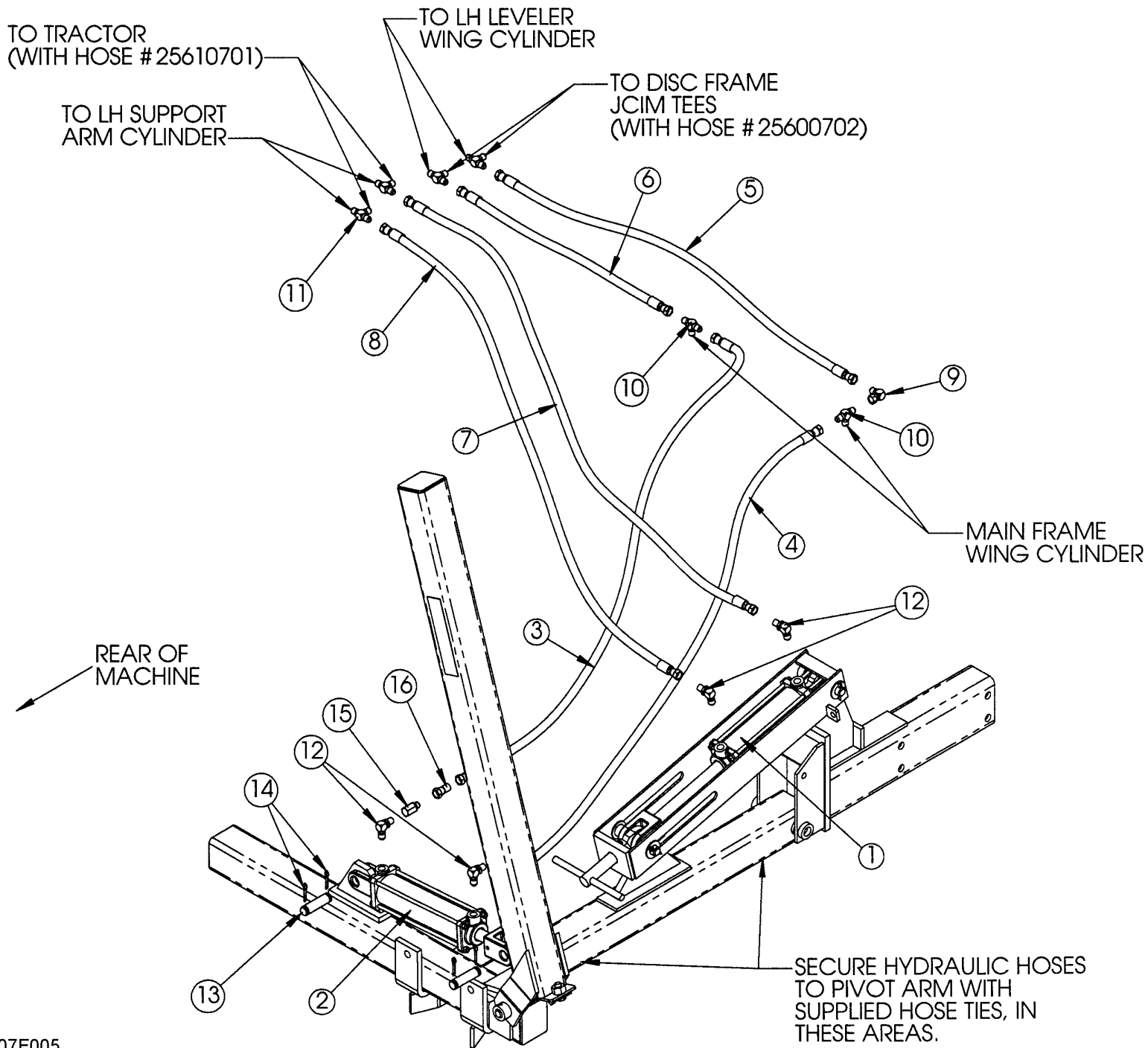
2 - SEAL KIT

## 9300 ECOLO-TIGER MULCH CHISEL

## 08-03 HYDRAULIC CYLINDER ASSEMBLY

сылка	Номер детали	Кол-во	Описание
1	25330081	1	CYLINDER ASSY., 3 x 8, 20-1/4 Closed, Disc Lift
1	25330160	1	CYLINDER ASSY., 3 x 16, 26-1/4 Closed, Disc Fold
1	25335162	1	CYLINDER ASSY., 3-1/2 x 16, 26-1/4 Closed, Main Frame Wing Fold
1	25340123	1	CYLINDER ASSY., 4 x 12, 22-1/4 Closed, Main Lift
1	25330083	1	CYLINDER ASSY., 3 x 8, With Stop, 20-1/4 Closed, Disc Leveler Lift
1	25330101	1	CYLINDER, 3 x 10, 20-1/4 Closed, Disc Leveler Wing Lift
2	25833007	1	KIT, SEALS, 3, Disc Lift, Disc Fold, Disc Leveler, And Disc Leveler Wing Lift
2	25833527	1	SEAL, HYD-CYLINDER, 3-1/2, Main Frame Wing Fold
2	25834024	1	SEAL, HYD-CYLINDER, 4, Main Lift
3	25890100	1	KIT, 1, Bag Of Parts, Disc Lift, Disc Fold, And Mainframe Wing Fold
3	14820241	1	CLEVIS, 1-1/4 x 3, Main Lift

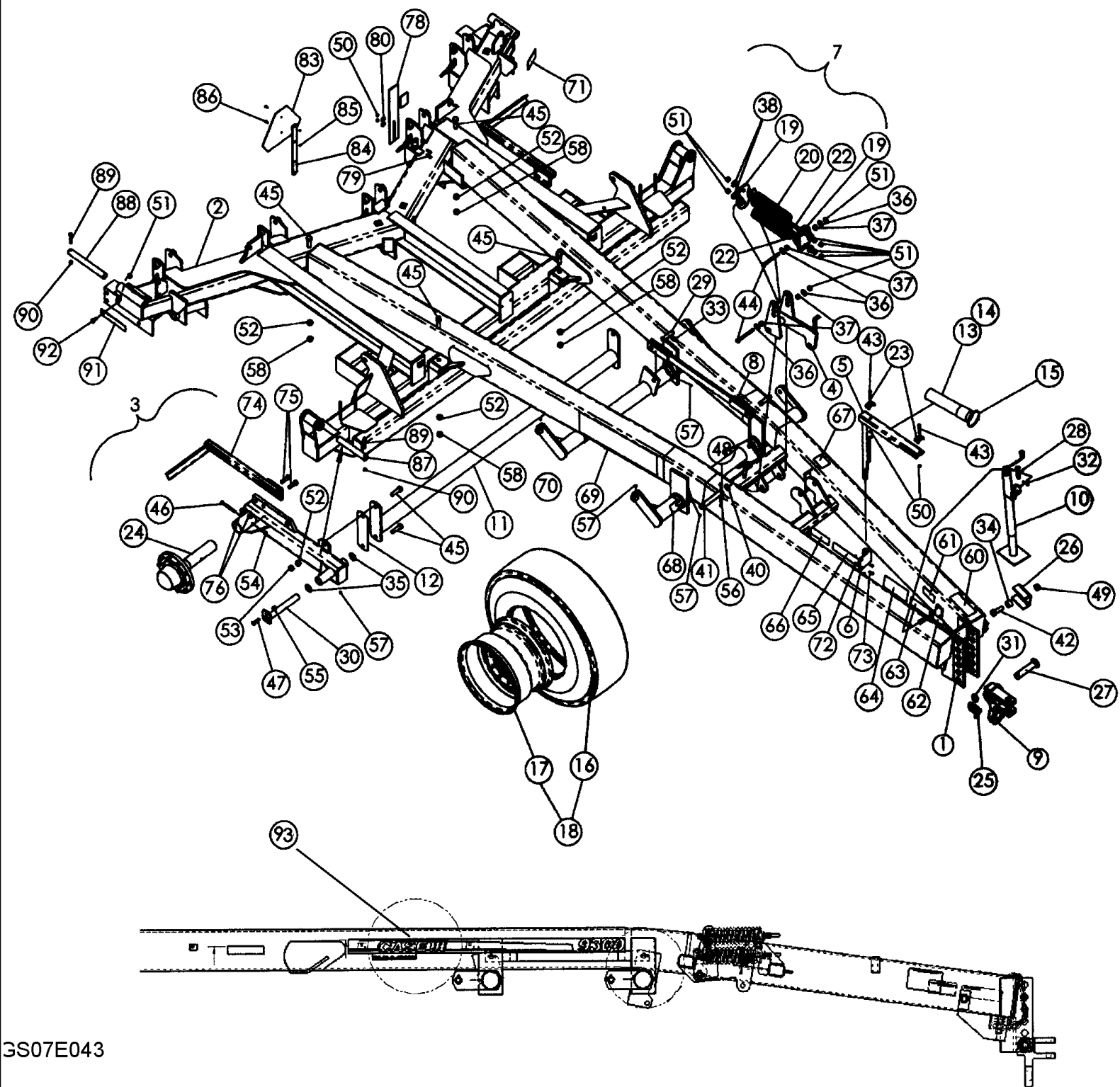




## 9300 ECOLO-TIGER MULCH CHISEL

## 08-04 DISC LEVELER HYDRAULICS

сылка	Номер детали	Кол-во	Описание
1	25330083	2	CYLINDER ASSY., 3 x 8, 3000 P.S.I.
2	25330101	2	CYLINDER, 3 x 10, 3000 P.S.I.
3	25600681	2	HOSE ASSY., 3/8 x 121
4	25600692	2	HOSE ASSY., 3/8 x 108
5	25600643	1	HOSE ASSY., 3/8 x 44-1/2, Rh
5	25600711	1	HOSE ASSY., 3/8 x 93, Lh
6	25600622	1	HOSE ASSY., 3/8 x 22, Rh
6	25600662	1	HOSE ASSY., 3/8 x 72, Lh
7	25600607	1	HOSE ASSY., 3/8 x 75, Rh
7	25600726	1	HOSE ASSY., 3/8 x 130-1/2, Lh
8	25600720	1	HOSE ASSY., 3/8 x 90, Rh
8	25600716	1	HOSE ASSY., 3/8 x 139-1/2, Lh
9	218-5230	2	ELBOW, 90e, 3/4"-16, 37e x 3/4"-16, 37e Fem Sw,
10	218-5183	4	TEE, 3/4"-16, 37e x 3/4"-16, O-Ring Br,
11	218-594	4	TEE, 3/4"-16, 37e,
12	218-5106	8	ELBOW, 90e, 3/4"-16, 37e x 3/4"-16, O-Ring,
13	25890100	2	KIT, 1, Bag of Parts
14	432-1624	8	PIN, SPLIT (COTTER), 1/4" x 1 1/2",
15	25707534	2	ADAPTER, 3/4 SAEM x 3/4 JICF
16	25405013	2	VALVE, CONTROL, Purple
17	30007000		UAR STRAP, CABLE, .350" x 20.9", 20, Tie
18	289862C1		UAR STRAP, CABLE, 3/16" x 7", 7, Tie



## 9300 ECOLO-TIGER MULCH CHISEL

## 09-01 MAIN FRAME ASSEMBLY

сылка	Номер детали	Кол-во	Описание
1	87409675	1	BAR ASSY., Pull Frame
2	87522029	1	Main Frame, Parabolic, S/B
2	87522025	1	Main Frame, Parabolic, A/R
2	87522029	1	Main Frame, MRD, S/B
2	87522025	1	Main Frame, MRD, A/R
3	09967550	1	ARM, Wheel Pedestal With Hub And Spindle, Q871, Rh
3	09967570	1	ARM, Wheel Pedestal With Hub And Spindel, Q871, Lh
4	09967530	1	FRAME ASSY, Pivot
5	05302150	1	STAND, Swinging Hose
6	09983458	1	BAR ASSY., Mount
7	09900085	1	SPRING BOX, Relief Assembly
8	09983920	1	BAR ASSY., Lift Link
9	20092310	1	CLEVIS, Combo
10	32230000	1	JACK, 3000#, Swivel
11	09984470	1	BAR ASSY., Torque
12	09967141		UAR WEDGE, Shim
13	30026030	1	TUBE, Canister
15	214-1452	1	CLAMP, HOSE, #52, 2.81/3.75 Type F Worm,
16	NSS	2	NOT SERVICED SEPARATELY, 425/65R x 22.5, Recapped Tire, 11016221
17	10113225	2	WHEEL, LAND, 22.5 x 13, Silver
18	10016225	2	WHEEL, LAND, 22.5 x 13, Assembly, Silver
19	20090133	2	HINGE, Double Casting
20	24162506	2	SPRING, Compression
21	24143816	2	SPRING, Compression
22	16510820	2	ROD, THREADED, 5/8, Dia
23	06200125	2	CLAMP, HOSE,
24	28087102	2	HUB ASSY., Q871, With Spindle
25	09967531	1	BRACKET, Klik Pin
26	04681210	1	BRACKET,
27	14820520	1	PIN, HITCH, 1-5/8 Dia. x 8.06
28	14810251	1	PIN, HEADED, 5/8 Dia x 3-1/2
29	14816201	2	PIN, SMALL, 1 Dia x 2.094
30	09983475	2	BAR ASSY., Weldment
31	D33805	1	PIN, 7/16 x 2.0, Klik
32	14720411	1	PIN, SPLIT (COTTER), 1/8 x 2.0, Hair
33	432-1624	2	PIN, SPLIT (COTTER), 1/4" x 1 1/2",
34	04681211	1	BUSHING, 1-3/4 OD x 1.030 ID x 1-1/8
35	17627010	2	BUSHING, 1-5/8 ID, Machinery, 14 ga
36	495-21069	4	WASHER, 5/8",
37	87613192	4	
38	44006200	4	BUSHING, 1-1/8 OD x .645 ID x .620
39	87389757	1	CHAIN, 30,400 lb, ASAE Safety
40	17620020	1	BUSHING, 1-1/4, Machinery, 14 ga
41	14892066	1	PIN, 1-1/4 x 8.60, With Hole
42	413-1648	1	BOLT, Hex, 1"-8 x 3", G5,

## 9300 ECOLO-TIGER MULCH CHISEL

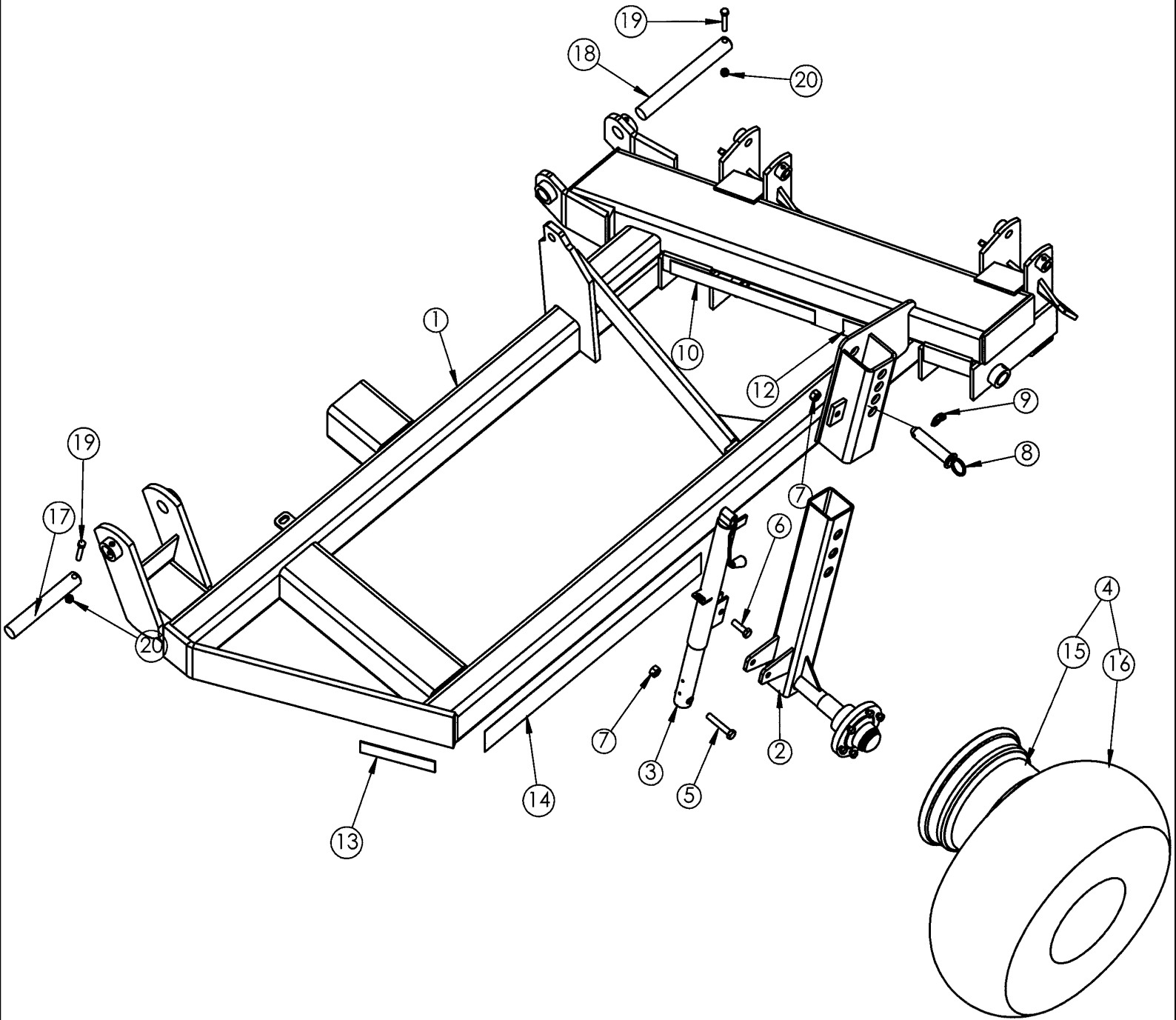
## 09-01 MAIN FRAME ASSEMBLY

сылка	Номер детали	Кол-во	Описание
43	413-648	2	BOLT, Hex, 3/8"-16 x 3", G5,
44	16901025	2	SCREW, 5/8 x 7-1/2, NC, Hex, gd 5
45	413-1448	8	BOLT, Hex, 7/8"-9 x 3", G5,
46	413-880	1	BOLT, Hex, 1/2"-13 x 5", G5,
47	413-1032	1	BOLT, Hex, 5/8"-11 x 2", G5,
48	413-740	1	BOLT, Hex, 7/16"-14 x 2 1/2", G5,
49	86992219	1	NUT, LOCK, 1, NC, Stover, ZP
50	86992213	2	NUT, LOCK, 3/8, NC, Stover, ZP
51	86992216	10	NUT, LOCK, 5/8, NC, Stover
52	425-1014	8	NUT, 7/8"-9, G5,
53	86992218	2	NUT, LOCK, 7/8, NC, Stover
54	86992215	1	NUT, LOCK, 1/2, NC, Stover
55	425-1010	1	NUT, 5/8"-11, G5,
56	86992217	1	NUT, LOCK, 7/16, NC, Stover
57	219-86	9	NIPPLE, LUBE, 1/8" x .62" lg, Drive,
58	425-1414	6	NUT, Jam, 7/8"-9, G5,
60	18534140	1	DECAL, Warning
61	18534107	1	DECAL, Patent
62	18534134	1	DECAL, Warning, Towing
63	18534228	1	DECAL, Caution
64	18534262	1	DECAL, Level Frame
65	18534333	1	DECAL, Danger
66	18534277	1	DECAL, Warning
67	18534241	1	DECAL, Instruction
68	18534258	1	DECAL, Depth Indicator
69	87457430	1	DECAL, 9300 Case IH, Lh
70	87457429	1	DECAL, 9300 Case IH, Rh
71	18534287	1	DECAL, Information, Wheel
72	425-106	2	NUT, 3/8"-16, G5,
73	413-616	2	BOLT, Hex, 3/8"-16 x 1", G5, Full Thd,
74	09967270	1	BRACKET, Mud Scraper, Rh
74	09967280	1	BRACKET, Mud Scraper, Lh
75	413-1240	4	BOLT, Hex, 3/4"-10 x 2 1/2", G5,
76	425-1012	4	NUT, 3/4"-10, G5,
77	18581002	1	PRODUCT GRAPHIC, SMV, 9300 With Leveler, Inc. 50 And 78 - 80
78	09102450	1	INDICATOR, Leveler Depth
79	413-616	2	BOLT, Hex, 3/8"-16 x 1", G5, Full Thd,
80	495-21044	2	WASHER, 3/8",
81	311864A1	1	REFLECTOR, Amber
82	18581000	1	PRODUCT GRAPHIC, SMV, 9300 Without Leveler, Inc. 79 - 80 And 83 - 86
83	311860A1	1	EMBLEM, SMV
84	06000099	1	BRACE, SMV
85	86992211	2	NUT, LOCK, 1/4, NC, Stover
86	413-412	2	BOLT, Hex, 1/4"-20 x 3/4", G5, Full Thd,
87	14892685	2	PIN, SPECIAL, 1-5/8 x 10.88

## 9300 ECOLO-TIGER MULCH CHISEL

## 09-01 MAIN FRAME ASSEMBLY

сылка	Номер детали	Кол-во	Описание
88	14892692	2	PIN, SPECIAL, 1-5/8 x 14.12
89	413-852	4	BOLT, Hex, 1/2"-13 x 3 1/4", G5,
90	87333862	4	NUT, LOCK,
91	09967155	6	SHIM, Wing
92	413-1024	2	BOLT, Hex, 5/8"-11 x 1 1/2", G5, Full Thd,
93	87558404	2	DECAL, Case IH



## 9300 ECOLO-TIGER MULCH CHISEL

## 09-02 MAIN FRAME WING

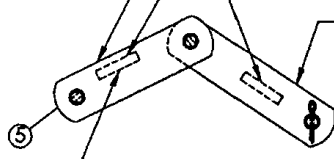
сылка	Номер детали	Кол-во	Описание
1	87409605	1	BAR ASSY., Main Frame, Lh, Shown
1	87409608	1	BAR ASSY., Main Frame, Rh
2	09967080	1	BRACKET, Gauge Wheel, Lh, 783 Hub
2	09967085	1	BRACKET, Gauge Wheel, Rh, 783 Hub
3	32253000	1	JACK ASSY., 5000 lb, Gauge Wheel
4	10010254	1	WHEEL ASSY., 12.5L x 15 SL, 8-Ply, Silver
5	413-1056	1	BOLT, Hex, 5/8"-11 x 3 1/2", G5,
6	413-1032	1	BOLT, Hex, 5/8"-11 x 2", G5,
7	86992216	2	NUT, LOCK, 5/8, Hex, Stover
8	14820421	1	CLEVIS, 1-1/4 x 5-1/4, Pin
9	A30338	1	PIN, 1/4 x 1-3/4, Klik
10	18534307	1	DECAL, Helping Plants Thrive
13	311864A1	1	REFLECTOR, Yellow
14	18532035	1	DECAL, Tiger Stripe
15	10110254	1	WHEEL ASSY., 10 x 15, 6-Hole, Silver
16	NSS	1	NOT SERVICED SEPARATELY, 12.5 x 15, 8-Ply Tire, 1980754C1
17	14892685	1	PIN, SPECIAL, 1-5/8 x 10.88
18	14892692	1	PIN, SPECIAL, 1-5/8 x 14.12
19	413-852	2	BOLT, Hex, 1/2"-13 x 3 1/4", G5,
20	86992215	2	NUT, LOCK, 1/2, NC, Stover



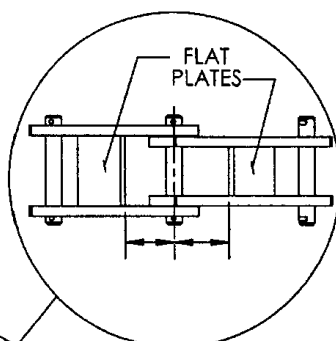
OUTER LINK WELDMENT  
P/N 09967250

POSITION FLAT PLATES FURTHEST  
FROM CENTER PIVOT

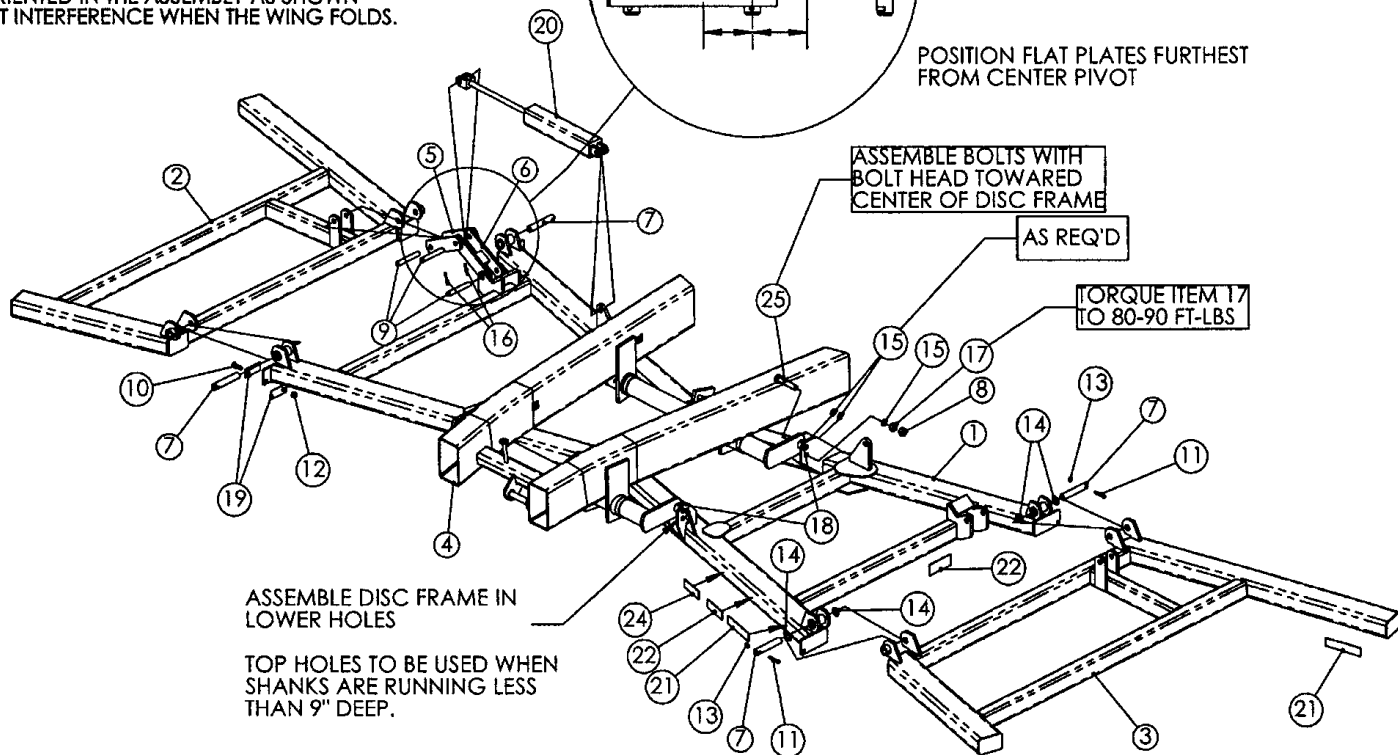
INNER LINK WELDMENT  
P/N 09967251



IMPORTANT: OUTER LINK WELDMENT  
MUST BE ORIENTED IN THE ASSEMBLY AS SHOWN  
TO PREVENT INTERFERENCE WHEN THE WING FOLDS.



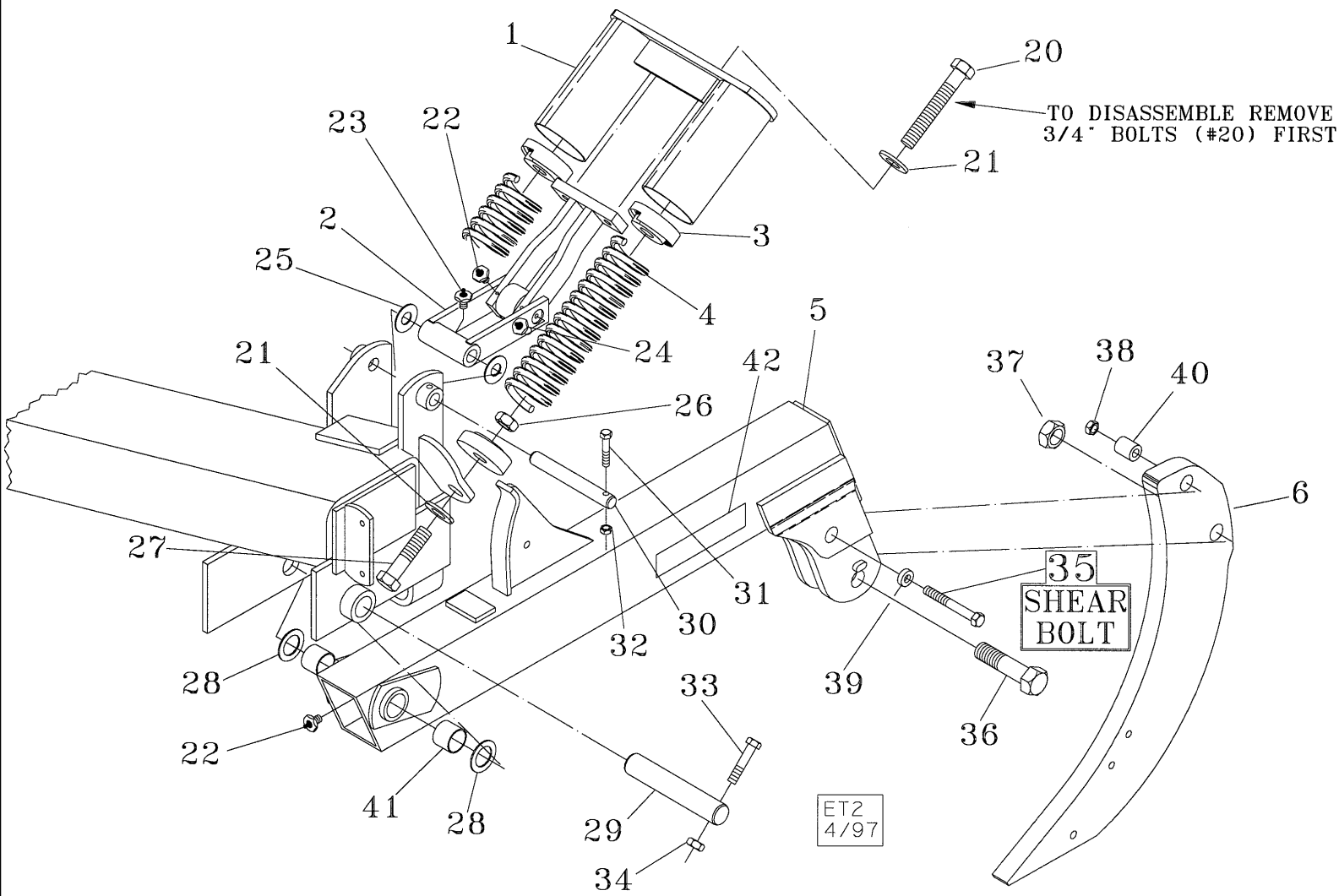
POSITION FLAT PLATES FURTHEST  
FROM CENTER PIVOT



## 9300 ECOLO-TIGER MULCH CHISEL

## 09-03 DISC ATTACHMENT

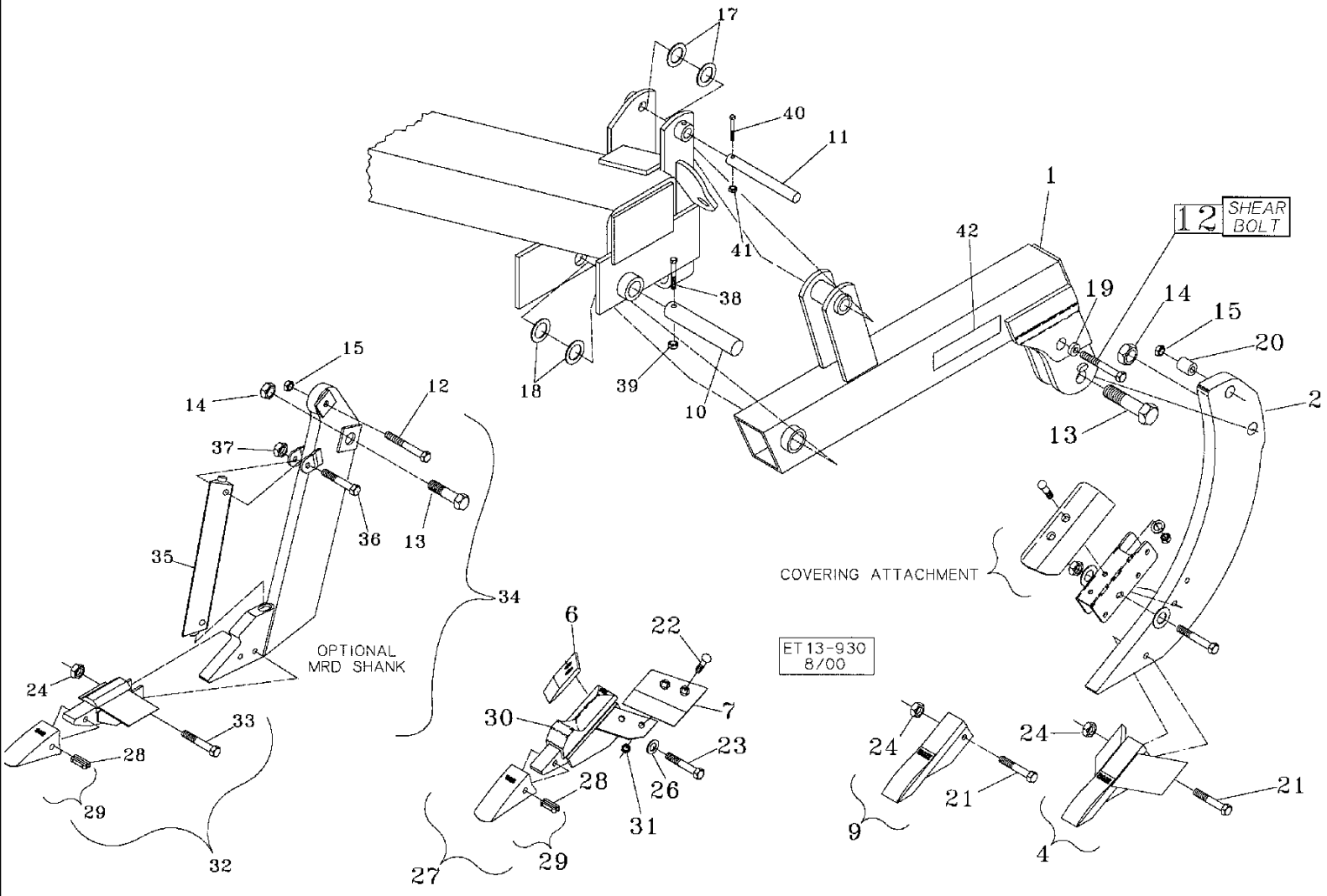
сылка	Номер детали	Кол-во	Описание
1	87445413	1	FRAME, DRAWBAR, Center Disc, Used On 2002 And Later Models
1	09967230W	1	TUBE ASSY., Center Disc, Used On Prior To 2002 Models
2	87409682	1	BAR ASSY., Disc Frame, Rh, Used On 2002 And Later Models
2	09967220W	1	TUBE ASSY., Disc Frame, Rh, Used On Prior To 2002 Models
3	87409693	1	BAR ASSY., Disc Frame, Lh, Used On 2002 And Later Models
3	09967210W	1	TUBE ASSY., Disc Frame, Lh, Used On Prior To 2002 Models
4	87409675	1	BAR ASSY., Pull
5	09967264	2	BRACKET, Link, Outer, With Instructions
6	09967251	2	BRACKET, Link, Center
7	14892077	4	PIN, SPECIAL, 1-1/4 x 7.50
8	86992219	4	NUT, LOCK, 1, Stover
9	14891663	6	PIN, HITCH, 1 x 6-3/4
10	413-1032	4	BOLT, Hex, 5/8"-11 x 2", G5,
11	413-740	4	BOLT, Hex, 7/16"-14 x 2 1/2", G5,
12	86992216	4	NUT, LOCK, 5/8, Stover
13	86992214	4	NUT, LOCK, 7/16, NC, Stover
14	17620020		UAR BUSHING, 1-1/4 ID, Machine, 14 ga
15	17616021		UAR BUSHING, 1 ID, Machine, 14 ga
16	432-1632	12	PIN, SPLIT (COTTER), 1/4" x 2",
17	425-1016	4	NUT, 1"-8, G5,
18	219-86	4	NIPPLE, LUBE, 1/8" x .62" lg, Drive,
19	09661456	8	SHIM,
20	25330160	2	CYLINDER ASSY., 3 x 16, 3000 P.S.I.
21	311864A1	2	REFLECTOR, Yellow
22	18534227	3	DECAL, Danger
24	18534223	1	DECAL, Torque
25	16901623	4	BOLT, 1 x 5-1/4, NC, Hex, A-325



## 9300 ECOLO-TIGER MULCH CHISEL

## 09-04 AUTO-RESET ASSEMBLY

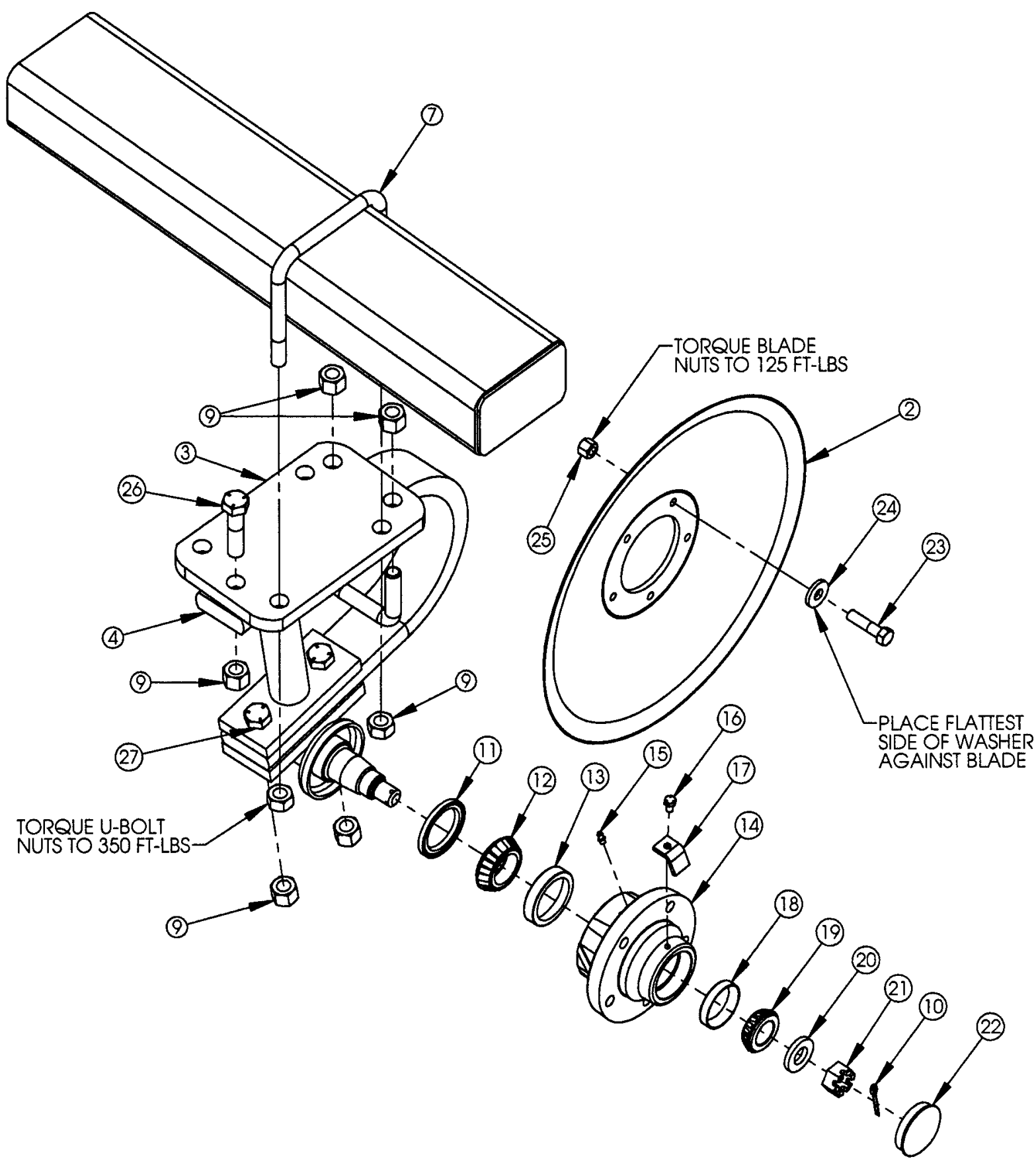
сылка	Номер детали	Кол-во	Описание
1	09984675	1	SPRING BOX, Auto-Reset Canister
2	09984650	1	LINK/SHACKLE, Auto-Reset
3	20090090	4	SPRING BOX, Casting
4	24162501	2	SPRING, COIL, Compression
5	09984645	1	BEAM ASSY., Inc. 39 And 41
6	09983476	1	SHANK, Hard Surfaced, Inc. 40
20	16901225	2	SCREW, 3/4 x 6-1/2, NC, Hex, gd 5
21	17413011	4	WASHER, SPECIAL, 3/4, Standard
22	219-87	2	NIPPLE, LUBE, 1/4"-28 x .56" lg, Self-Tap,
23	219-86	1	NIPPLE, LUBE, 1/8" x .62" lg, Drive, Self Tapping
24	219-40	1	NIPPLE, LUBE, 65c, 1/8" NPT x 7/8" lg, Self Tapping
25	17616020	2	WASHER, 1, Dia., Machine, 14 ga
26	425-1012	1	NUT, 3/4"-10, G5, Hex
27	413-1248	2	BOLT, Hex, 3/4"-10 x 3", G5,
28	17627010	2	BUSHING, 1-5/8, Dia, 14 ga
29	14892671	1	PIN, SPECIAL, 1-5/8, Dia, H.T.
30	14891665	1	PIN, HITCH, 1, Dia
31	413-636	1	BOLT, Hex, 3/8"-16 x 2 1/4", G5,
32	86992213	1	NUT, LOCK, 3/8, NC, Stover
33	413-848	1	BOLT, Hex, 1/2"-13 x 3", G5,
34	86992215	1	NUT, LOCK, 1/2, NC, Stover
35	413-1080	1	BOLT, Hex, 5/8"-11 x 5", G5,
36	16902016	1	BOLT, 1-1/4 x 4, NC Hex, gd 5
37	25-1420	1	NUT, Jam, 1 1/4"-7, G5,
38	86992216	1	NUT, LOCK, 5/8, NC, Stover
39	44006520	2	BUSHING, LARGE, 1-5/16
40	44006530	1	BUSHING, LARGE, 1-1/2
41	44016250	2	SPACER, 1-5/8
42	311864A1	2	REFLECTOR, Yellow
43	09900099	1	SHANK, BUCKET TOOTH, A/R Assembly, Not Shown



## 9300 ECOLO-TIGER MULCH CHISEL

## 09-05 SHEAR BOLT ASSEMBLY

сылка	Номер детали	Кол-во	Описание
1	09967360	1	BEAM ASSY., Shear Bolt, Less Shank
2	09983476	1	SHANK, Hard Surfaced, Inc. 20
4	87460074	1	SHANK, POINT RIPPER, 7, Tiger Assembly
4	87460072	1	SHANK, POINT RIPPER, 10, Tiger Assembly
6	09907002	1	FRAME, Rh, Wing, Inc. 22 And 24
7	09907003	1	FRAME, Lh, Wing, Inc. 22 And 24
9	87460071	1	SHANK, POINT RIPPER, 2, Straight Assembly
10	14892671	1	PIN, SPECIAL, 1-5/8
11	14891665	1	PIN, HITCH, 1
12	413-1080	2	BOLT, Hex, 5/8"-11 x 5", G5,
13	16902016	1	BOLT, 1-1/4 x 4, NC, Hex, gd 5
14	25-1420	1	NUT, Jam, 1 1/4"-7, G5,
15	86992216	1	NUT, LOCK, 5/8, NC, Stover
16	25-1620	2	NUT, 1 1/4"-7, G5, Hvy,
17	17616020	2	WASHER, 1, Machine
18	17627010	2	BUSHING, 1-5/8, Machine, 10 ga
19	44006520	2	BUSHING, LARGE, 1-5/16
20	44006530	1	BUSHING, LARGE, 1-1/2
21	413-844	1	BOLT, Hex, 1/2"-13 x 2 3/4", G5,
22	16208065	4	BOLT, PLOW, 1/2 x 1-1/2, NC
23	413-848	1	BOLT, Hex, 1/2"-13 x 3", G5,
24	425-108	1	NUT, 1/2"-13, G5,
25	425-168	1	NUT, 1/2"-13, G5, Hvy,
26	495-21056	1	WASHER, 1/2", Standard
27	87460159	1	SHANK, POINT RIPPER, Replacable Tip Tiger
28	245466A1	1	SPLIT PIN/SAFETY PIN, 3/8, Flex
29	87412311	1	TIP, Replaceable, Inc. 28
30	87460073	1	SHANK, POINT RIPPER, Replacable Point Base, Inc. 23, 25, And 26
31	86512371	4	NUT, Flg, USR, 1/2"-13,
32	87460158	1	SHANK, POINT RIPPER, 7, Replaceable Tip Assembly
33	413-836	1	BOLT, Hex, 1/2"-13 x 2 1/4", G5,
34	09983485	1	SHANK, MRD, Assembly, Inc. 35 - 37
35	09581761	1	BAR ASSY., Wedge, MRD
36	413-840	1	BOLT, Hex, 1/2"-13 x 2 1/2", G5,
37	86992215	1	NUT, LOCK, 1/2, NC, Stover
38	413-636	1	BOLT, Hex, 3/8"-16 x 2 1/4", G5,
39	86992213	1	NUT, LOCK, 3/8, Stover
40	413-848	1	BOLT, Hex, 1/2"-13 x 3", G5,
41	86992215	1	NUT, LOCK, 1/2, Stover
42	311864A1	2	REFLECTOR, Yellow

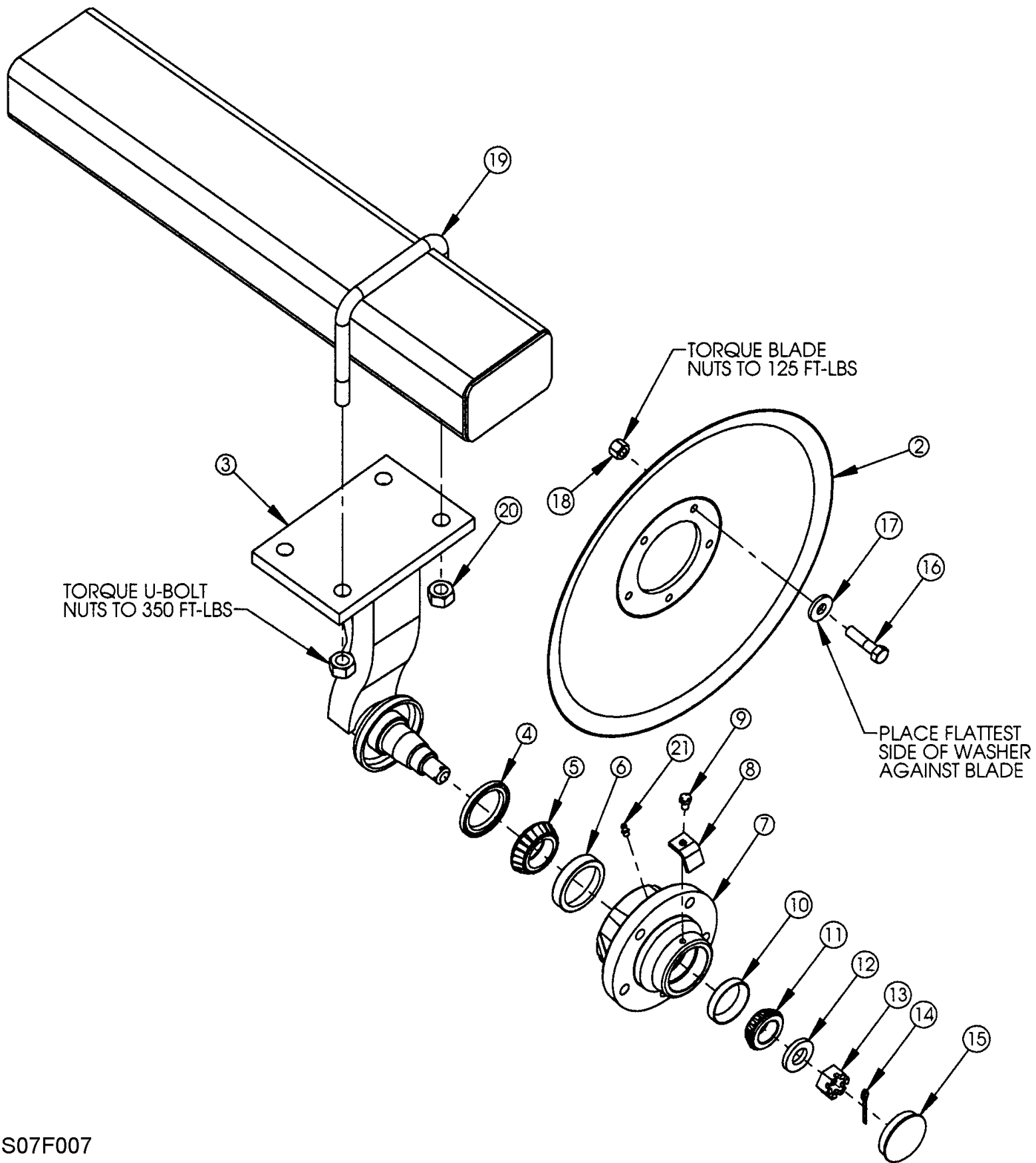


## 9300 ECOLO-TIGER MULCH CHISEL

## 09-06 CUSHION DISC MOUNT ASSEMBLY

сылка	Номер детали	Кол-во	Описание
1	87577026		UAR MOUNTING PARTS, Center Cushion Mount Assembly
1	87577027		UAR MOUNTING PARTS, Cushion Mount Assembly, Rh
1	87577028		UAR MOUNTING PARTS, Cushion Mount Assembly, Lh
1	87577029		UAR MOUNTING PARTS, Cushion Mount Assembly, Lh, No Stop, Used In Rear
1	87577030		UAR MOUNTING PARTS, Cushion Mount Assembly, Rh, No Stop, Used In Rear
2	87443008		UAR DISC, PLOW, 20, Blade
2	87443010		UAR DISC, PLOW, 22, Blade
3	09987801	1	BRACKET,
3	87436346	1	PLATE, SUPPORT, Center Mount Only
4	33090001	1	HANGER, Bearing, Painted
7	87427186	1	U-BOLT, 3/4 x 6.18
9	86992217	9	NUT, LOCK, 3/4, NC, Stover
10	432-1024	1	PIN, SPLIT (COTTER), 5/32" x 1 1/2",
11	21932120	1	SEAL, Retainer
12	663557R91	1	BEARING, CONE, 1.625, Timken LM501349
13	663558R1	1	BEARING, CUP, 2.892, Timken LM501310
14	28705012	1	HUB ASSY., With Cups
15	219-87	1	NIPPLE, LUBE, 1/4"-28 x .56" lg, Self-Tap,
16	413-58	1	BOLT, Hex, 5/16"-18 x 1/2", G5, Full Thd,
17	87541117	1	DUST CAP, Dust Cap
18	651817R1	1	BEARING, CUP, 2.33, Timken LM67010
19	651818R91	1	BEARING, CONE, 1.25, Timken LM67048
20	87716935	2	
21	425-1314	1	NUT, SLOTTED, 7/8"-14, G5,
22	28490001	1	HUB CAP,
23	426-832	5	BOLT, Hex, 1/2"-13 x 2", G8,
24	17409010	5	WASHER, 9/16 x 1-3/8 OD, Special
25	86992215	1	NUT, LOCK, 1/2, NC, Stover
26	413-1248	1	BOLT, Hex, 3/4"-10 x 3", G5,
26	420-21248	1	BOLT, PLOW, 3/4"-10 x 3", G8,
27	413-1256	2	BOLT, Hex, 3/4"-10 x 3 1/2", G5,
27	413-1248	2	BOLT, Hex, 3/4"-10 x 3", G5, For Use With Stop
28	28199902	1	HUB ASSY., Complete

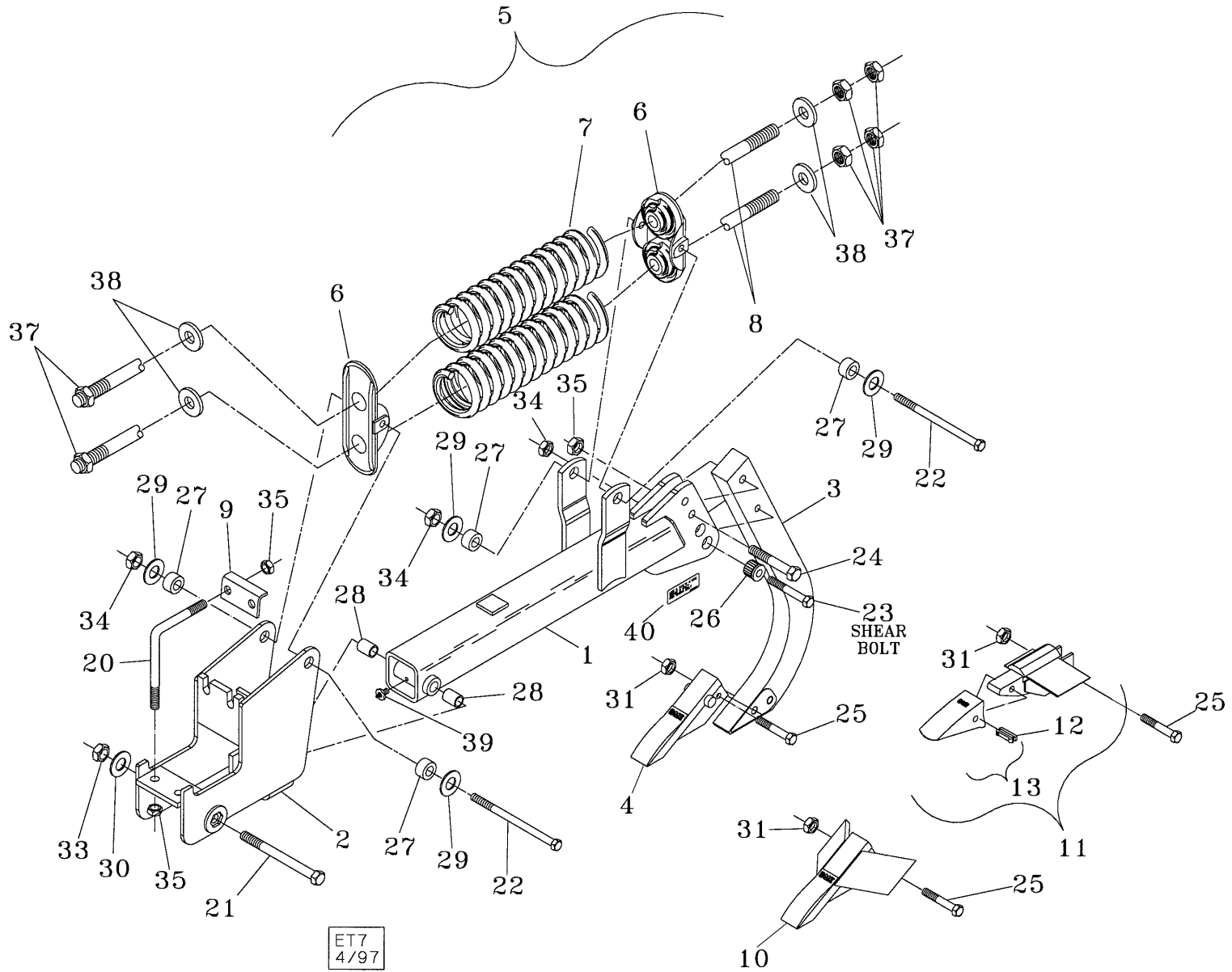




## 9300 ECOLO-TIGER MULCH CHISEL

## 09-07 RIGID DISC MOUNT ASSEMBLY

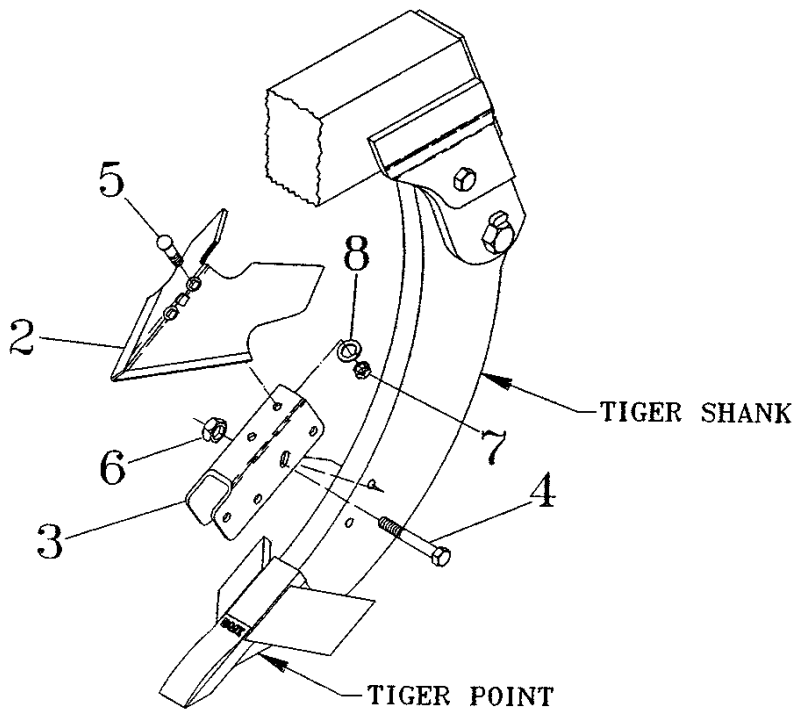
сылка	Номер детали	Кол-во	Описание
1	87576427		UAR MOUNTING PARTS, Center Disc Mount Assembly
1	87576437		UAR MOUNTING PARTS, Disc Mount Assembly, Rh
1	87576435		UAR MOUNTING PARTS, Disc Mount Assembly, Lh
2	87443008		UAR DISC, PLOW, 20, Blade
2	87443009		UAR DISC, PLOW, 20, Notched Blade
2	87443010		UAR DISC, PLOW, 22, Blade
3	09985210		UAR BAR ASSY., Center Disc Mount, Less Hub
3	09985280		UAR BRACKET, Disc Mount, Less Hub, Rh
3	09985270		UAR BRACKET, Disc Mount, Less Hub, Lh
4	21932120	1	SEAL, Retainer
5	663557R91	1	BEARING, CONE, 1.62, Timken LM501349
6	663558R1	1	BEARING, CUP, 2.89 OD, Timken LM501310
7	28705011	1	HUB ASSY., With Cups
8	87541117	1	DUST CAP, Dust Cap
9	413-58	1	BOLT, Hex, 5/16"-18 x 1/2", G5, Full Thd,
10	651817R1	1	BEARING, CUP, 2.33 OD, Timken LM67010
11	651818R91	1	BEARING, CONE, 1.25, Timken LM67048
12	87716935	1	
13	425-1314	1	NUT, SLOTTED, 7/8"-14, G5,
14	432-1024	1	PIN, SPLIT (COTTER), 5/32" x 1 1/2", 5/32" x 1 1/2"
15	28490001	1	HUB CAP,
16	426-832	5	BOLT, Hex, 1/2"-13 x 2", G8,
17	17409010	5	WASHER, 9/16 ID x 1-3/8 OD, Special
18	86992215	5	NUT, LOCK, 1/2, NC, Hex, Stover
19	87427186	2	U-BOLT, 3/4, NC 6.18, Square
20	425-1012	4	NUT, 3/4"-10, G5,
21	219-87	1	NIPPLE, LUBE, 1/4"-28 x .56" lg, Self-Tap,
22	28199902	1	HUB ASSY., Complete



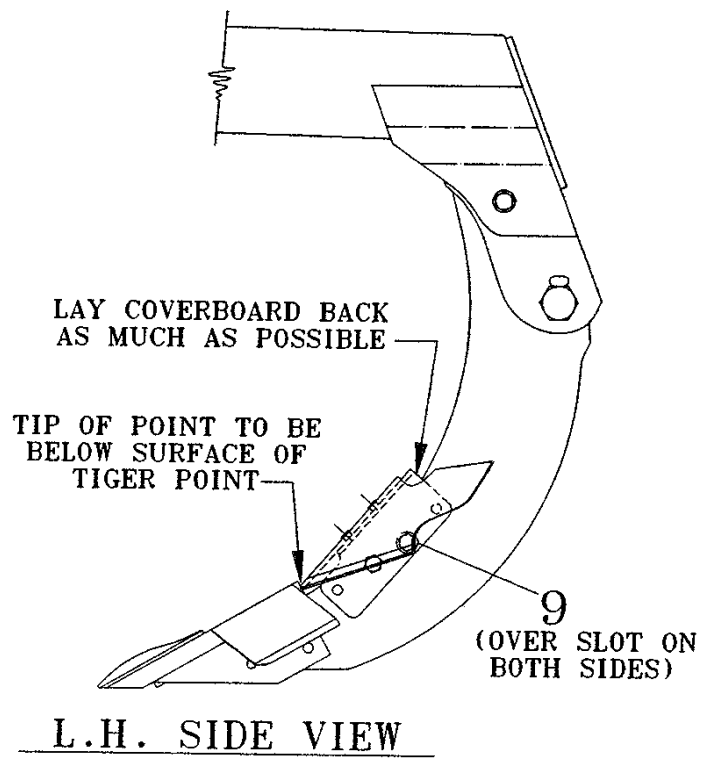
## 9300 ECOLO-TIGER MULCH CHISEL

## 09-08 LEAD SHANK ASSEMBLY

сылка	Номер детали	Кол-во	Описание
1	09984810	1	BAR ASSY., Lead Shank, Beam
2	09984820	1	SHANK, Mount
3	33010010	1	SHANK, Heat Treated
4	87460075	1	SHANK, POINT RIPPER, , Does Not Include Hardware
5	09984815	1	SPRING, Assembly
6	20090133	2	HINGE, Double, Casting
7	24162506	2	SPRING, Compression
8	16510720	2	ROD, 5/8, Threaded
9	09561200	1	PLATE,
10	87460070	1	SHANK, POINT RIPPER, 7, Tiger, Does Not Include Hardware
11	87460158	1	SHANK, POINT RIPPER, 7, Replacable Tip Tiger, Does Not Include Hardware
12	245466A1	1	SPLIT PIN/SAFETY PIN, 3/8, Flex
13	87412311	1	TIP, Replacable
14	09900012	1	SHANK, Complete Lead, Less Point
20	87427193	2	BOLT, SPECIAL, 3/4, NC x 7-9/16, Square
21	16901435	1	BOLT, 7/8 x 7-3/4, NC, Hex, gd 5
22	16901025	2	SCREW, 5/8 x 7-1/2, NC, Hex, gd 5
23	413-1072	1	BOLT, Hex, 5/8"-11 x 4 1/2", G5, Shear
24	16901215	1	BOLT, 3/4 x 3-3/4, NC, A325
25	413-836	1	BOLT, Hex, 1/2"-13 x 2 1/4", G5,
26	44006511	4	BUSHING, LARGE, 5/8, Serrated, Painted
27	44006200	2	BUSHING, H.T., Painted
28	51200158	2	BUSHING, 7/8, ID, Hardened
29	80299	4	WASHER, 5/8", Standard
30	17414012	1	WASHER, 7/8, ID
31	425-108	1	NUT, 1/2"-13, G5, Hex
33	86992216	1	NUT, LOCK, 7/8, NC, Hex
34	425-1010	3	NUT, 5/8"-11, G5,
35	425-1012	5	NUT, 3/4"-10, G5, Hex
37	25-1010	6	NUT, 5/8"-11, G5,
38	87613192	4	
39	219-86	1	NIPPLE, LUBE, 1/8" x .62" lg, Drive, Self-Tapping
40	18534233	1	DECAL, Shear Bolt, Obsolete



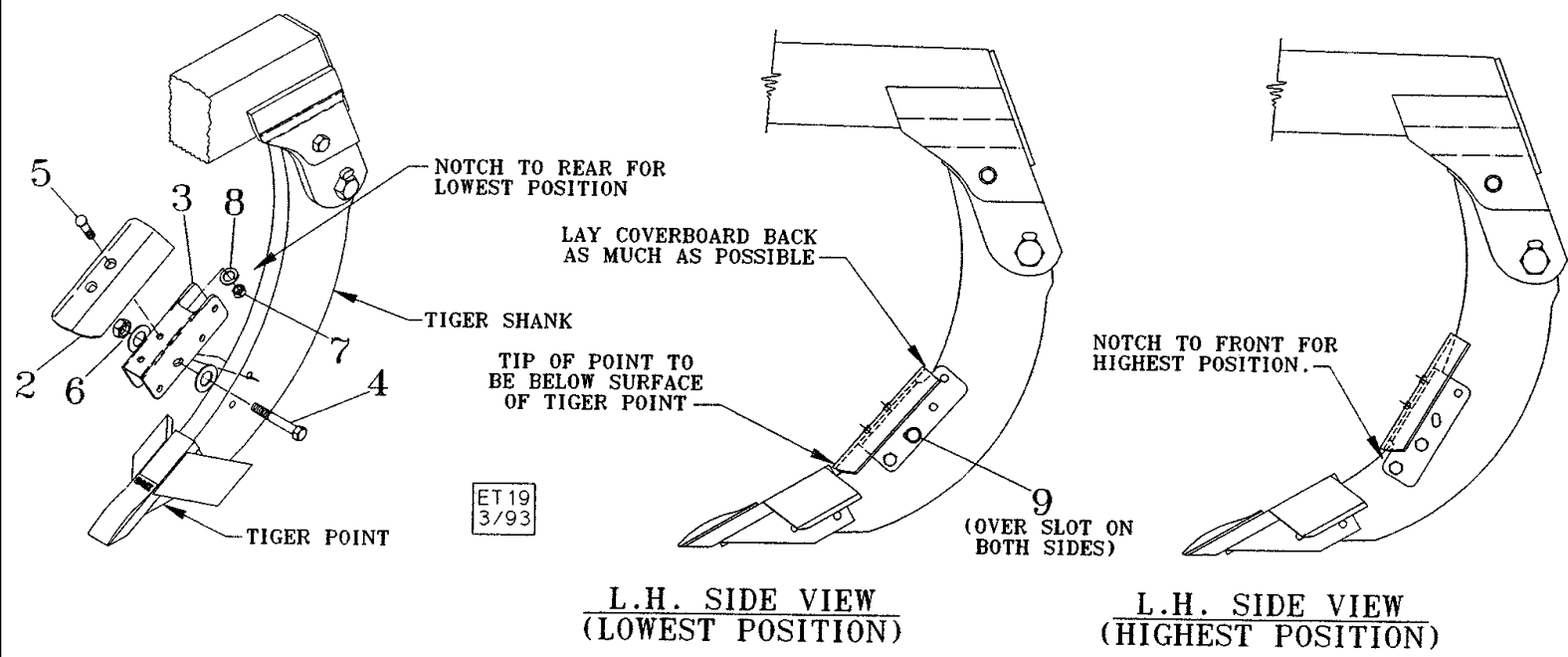
ET20  
3/93



## 9300 ECOLO-TIGER MULCH CHISEL

## 09-09 6 AND 8 COVERING ATTACHMENTS

сылка	Номер детали	Кол-во	Описание
1	09990035		UAR MOLDBOARD, 6, Covering Attachment
1	09990030		UAR MOLDBOARD, 8, Covering Attachment
2	33310081	1	LANDSIDE, 6, Covering Attachment With Hardware
2	33310070	1	MOLDBOARD, 8, Covering Attachment With Hardware
3	09965000	1	BRACKET, 1-1/2 Shank
3	87442609	1	BRACKET, 1-1/4 Shank
4	413-844	2	BOLT, Hex, 1/2"-13 x 2 3/4", G5,
5	420-2720	2	BOLT, PLOW, 7/16"-14 x 1 1/4", G8,
6	425-108	2	NUT, 1/2"-13, G5, Hex
7	425-107	2	NUT, 7/16"-14, G5, Hex
8	81547	2	WASHER, LOCK, 7/16", , Does Not Include Hardware
9	80700	2	WASHER, 1/2", Flat

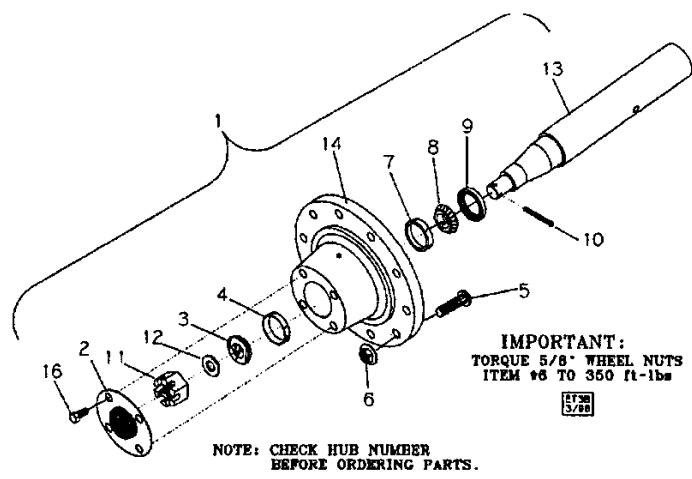
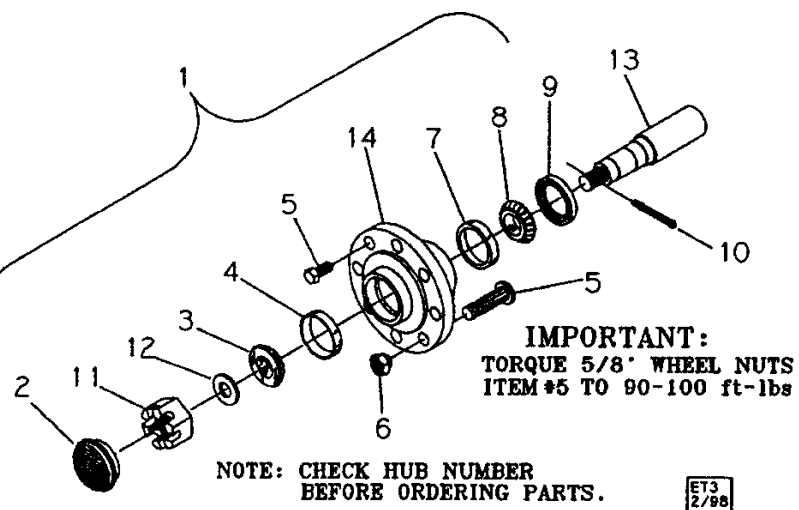


## 9300 ECOLO-TIGER MULCH CHISEL

## 09-10 4 COVERING ATTACHMENT

сылка	Номер детали	Кол-во	Описание
1	09990040		UAR MOLDBOARD, 4, Covering Attachement Complete
2	33310076	1	LANDSIDE, 4, Covering With Hardware
3	09965000	1	BRACKET, 1-1/2 Shank
3	87442609	1	BRACKET, 1-1/4 Shank
4	413-844	2	BOLT, Hex, 1/2"-13 x 2 3/4", G5,
5	420-2720	2	BOLT, PLOW, 7/16"-14 x 1 1/4", G8,
6	425-108	2	NUT, 1/2"-13, G5,
7	425-107	2	NUT, 7/16"-14, G5,
8	81547	2	WASHER, LOCK, 7/16",
9	80700	2	WASHER, 1/2", Flat

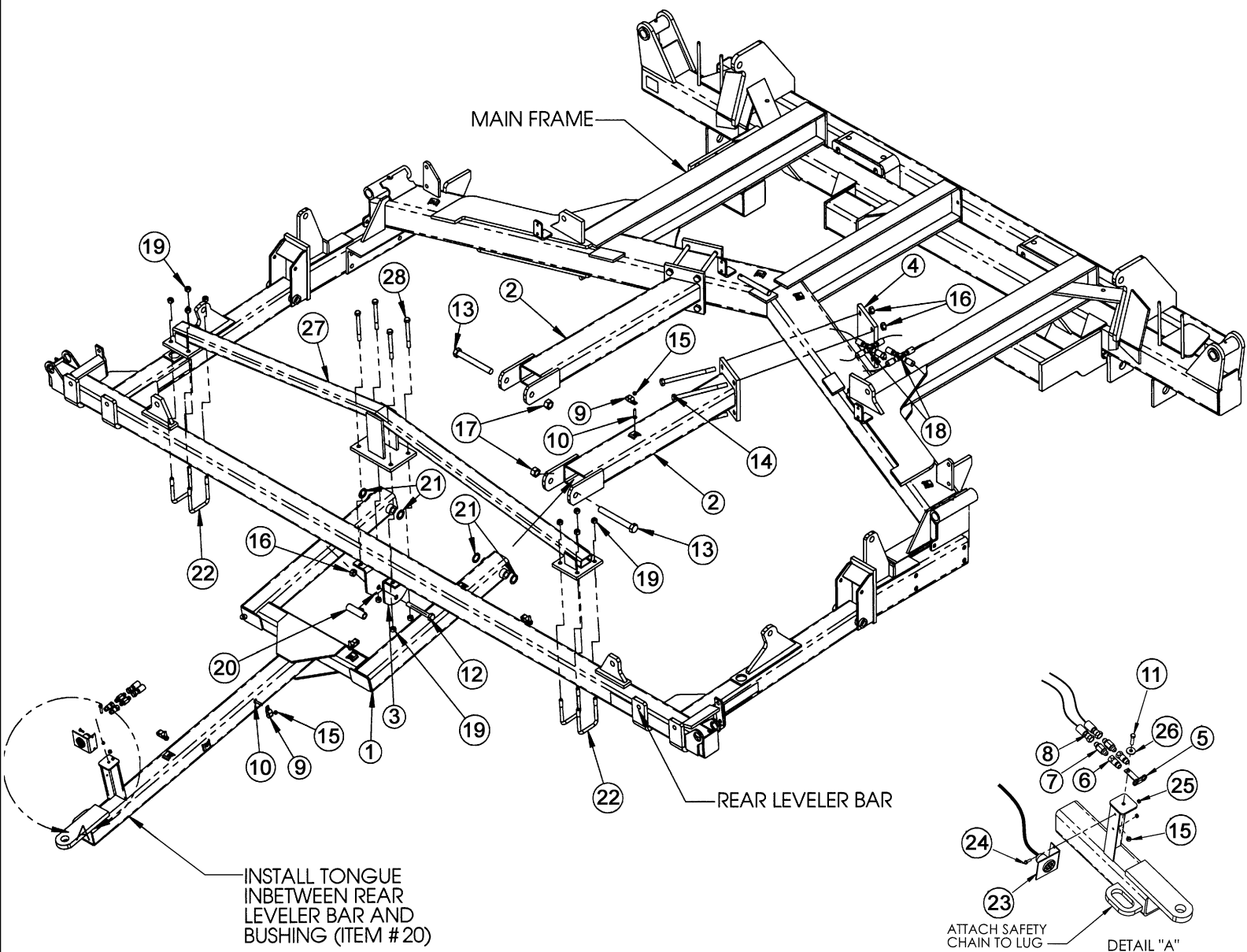




## 9300 ECOLO-TIGER MULCH CHISEL

## 09-11 HUB AND SPINDLE ASSEMBLIES

сылка	Номер детали	Кол-во	Описание
1	28178300	1	HUB ASSY., 783, 6-Bolt, Inc. 2 - 9, Gauge Wheels
1	28187101	1	871, 10-Bolt, Inc 2 - 9, Transport Wheels
2	28477700	1	HUB CAP, Gauge Wheels
2	28487101	1	HUB ASSY., Cap, Transport Wheels
3	651818R91	1	BEARING, CONE, 1.25, Timken LM67048, Gauge Wheels
3	21871750	1	BEARING, CONE, 1.75, Timken 460, Transport Wheels
4	651817R1	1	BEARING, CUP, 2.33 OD, Timken LM67010, Gauge Wheels
4	21884250	1	CUP, 4.25 OD, Timken 453A, Transport Wheels
5	549962R1	6	BOLT, 1/2 x 1, NF, Hex, gd 5, Gauge Wheels
5	16412418	10	STUD, 3/4 x 2-9/16, NF, gd 8, Transport Wheels
6	14091203	10	NUT, SPECIAL, 3/4, NF, Flanged, Transport Wheels
7	663558R1	1	BEARING, CUP, 2.89 OD, Timken LM501310, Gauge Wheels
7	21884430	1	CUP, 4.4375 OD, Timken 39520, Transport Wheels
8	663557R91	1	BEARING, CONE, 1.625, Timken LM501349, Gauge Wheels
8	21872505	1	BEARING, CONE, 2.50, Timken 39585, Transport Wheels
9	145769C91	1	SEAL, 1.875 ID x 3.005 OD, CR18823, Gauge Wheels
9	21933000	1	SEAL, OIL, 3.00, CR30087, Transport Wheels
10	432-1024	1	PIN, SPLIT (COTTER), 5/32" x 1 1/2", Gauge Wheels
10	432-1232	1	PIN, SPLIT (COTTER), 3/16" x 2", Transport Wheels
11	425-1314	1	NUT, SLOTTED, 7/8"-14, G5, Gauge Wheels
11	87355811	1	Slotted, Transport Wheels
12	87716935	1	Gauge Wheels
12	17952632	1	WASHER, SPECIAL, 3.25 Dia, Special, Heavy, Transport Wheels
13	28378305	1	AXLE, 2.00, Straight, Gauge Wheels
13	28387101	1	SPINDLE, Q871, Drilled, Transport Wheels
14	28278300	1	HUB ASSY., 783, With Cups, Gauge Wheels
14	28787101	1	HUB ASSY., Q871, With Cups, Transport Wheels
15	28078305	1	HUB ASSY., 783, Gauge Wheels
15	28087102	1	HUB ASSY., Q871, Transport Wheels
16	413-612	4	BOLT, Hex, 3/8"-16 x 3/4", G5, Full Thd,



## 9300 ECOLO-TIGER MULCH CHISEL

## 09-12 REAR HITCH

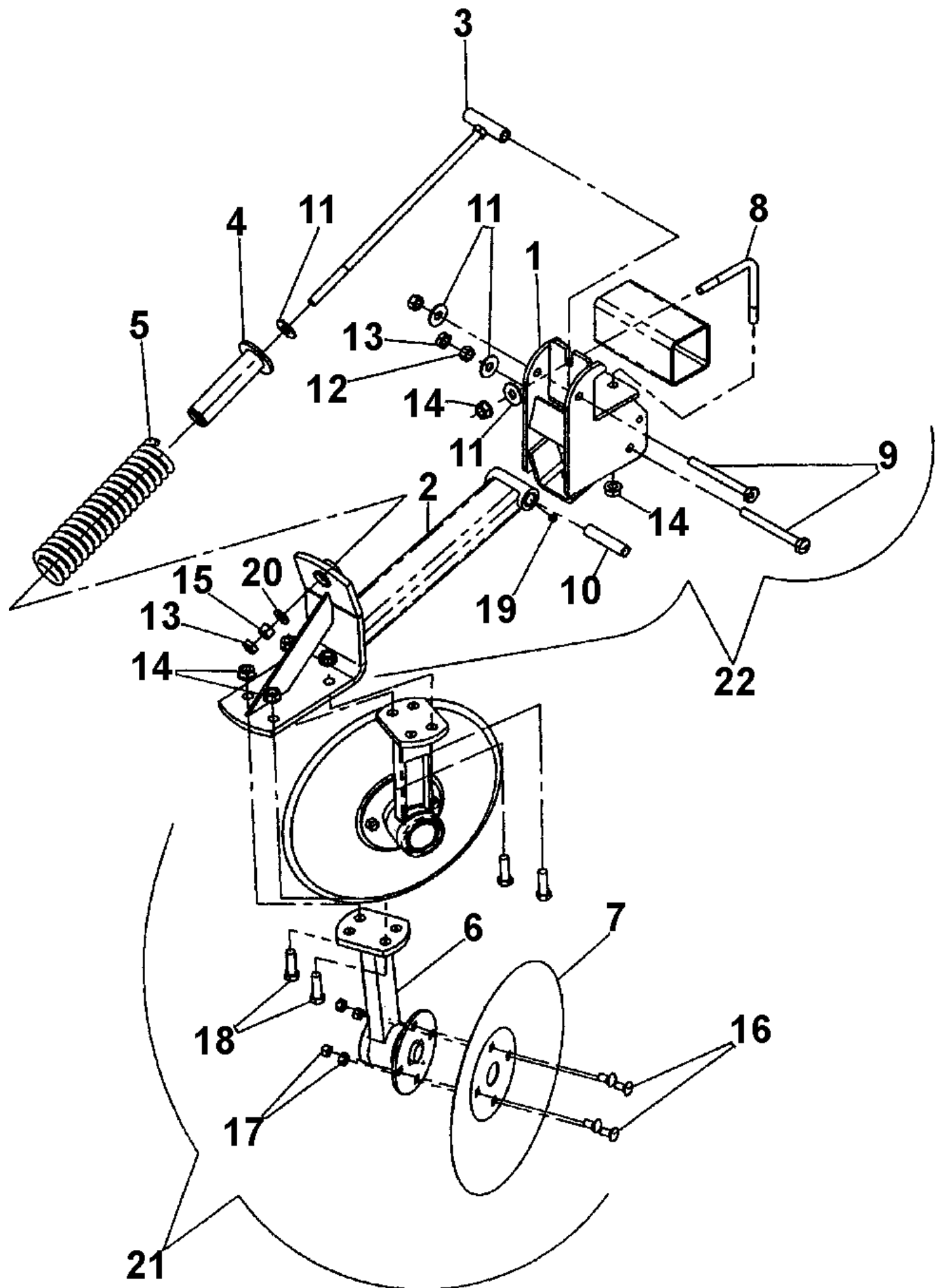
сылка	Номер детали	Кол-во	Описание
1	09967720	1	BRACKET, Rear Hitch Weldment
2	09967730	2	BRACKET, Arm Weldment
3	09967727	2	BAR ASSY., Guide, Rear Hitch
4	09967725	2	CAP, Plate With Holes
5	25705012	1	COUPLING, Breakaway Frame
6	25705021	2	COUPLING, Female
7	218-5059	2	CONNECTOR, HYD., 3/4"-16, 37e x 3/4"-16, O-Ring, Adapter
8	25600752	2	HOSE ASSY., 3/8 x 161, Hyrdaulic
9	22510700	5	CLAMP, HOSE, Cushioned, 5/8
10	433-616	5	BOLT, CARRIAGE, Short NK, 3/8"-16 x 1", G5,
11	413-624	1	BOLT, Hex, 3/8"-16 x 1 1/2", G5,
12	413-1296	1	BOLT, Hex, 3/4"-10 x 6", G5,
13	413-16136	2	BOLT, Hex, 1"-8 x 8 1/2", G5,
14	16901245	8	BOLT, 3.4 x 10-1/2, NC
15	86992213	6	NUT, LOCK, 3/8, NC
16	425-1012	9	NUT, 3/4"-10, G5,
17	86992219	2	NUT, LOCK, 1, NC
18	218-654	2	CONNECTION, 4 WAY, 3/4"-16, 37e,
19	425-1010	12	NUT, 5/8"-11, G5,
20	09967728	1	SPACER, Bushings, Rear Hitch
21	17616011	8	BUSHING, LARGE, Machinery
22	87427161	4	U-BOLT, 5/8 x 4 x 5-1/2
23	87436249	1	HARNESS, Adapter
24	413-412	2	BOLT, Hex, 1/4"-20 x 3/4", G5, Full Thd,
25	86992211	2	NUT, LOCK, 1/4, NC
26	80702	1	WASHER, 3/8",
27	87398411	1	TRUSS ROD, Truss
28	413-1096	4	BOLT, Hex, 5/8"-11 x 6", G5,
29	30007000		UAR STRAP, CABLE, .350" x 20.9", Hose Tie, 20, Not Shown
30	386170C1		UAR STRAP, CABLE, .30" x 27 1/2", Hose Tie, 30, Not Shown



## 9300 ECOLO-TIGER MULCH CHISEL

## 09-13 HYDRAULIC LEVELER BAR

сылка	Номер детали	Кол-во	Описание
1	09102540	1	BAR ASSY., Hydraulic Leveler, 9300 And 730B
2	09102550	1	BAR ASSY., Leveler, Rh, 9300
2	09102560	1	BAR ASSY., Leveler, Lh, 9300
3	09102985	2	ARM ASSY.,
4	09967620	2	BRACKET, Support Arm
5	25330101	2	CYLINDER, 3 x 10, 3000 P.S.I.
6	25330083	2	CYLINDER ASSY., 3 x 8, With Stop, 3000 P.S.I.
7	87550891	2	STOP,
8	14891661	2	PIN, SPECIAL, 1, Dia
9	25890100	1	KIT, Bag of Parts
10	14891663	4	PIN, HITCH, 1, Dia
11	432-1624	16	PIN, SPLIT (COTTER), 1/4" x 1 1/2",
12	09102570	1	PRODUCT GRAPHIC, SMV
13	311860A1	1	EMBLEM, SMV
14	413-640	8	BOLT, Hex, 3/8"-16 x 2 1/2", G5,
15	413-1296	8	BOLT, Hex, 3/4"-10 x 6", G5,
16	413-412	2	BOLT, Hex, 1/4"-20 x 3/4", G5, Full Thd,
17	16309091	1	U-BOLT, 3/8 x 4 x 4.9
18	87427192	4	BOLT, SPECIAL, 3/4 x 5.69
19	425-106	8	NUT, 3/8"-16, G5,
20	425-1412	8	NUT, Jam, 3/4"-10, G5, Hex
21	425-1012	16	NUT, 3/4"-10, G5, Hex
22	86992211	2	NUT, LOCK, 1/4, NC, Hex
23	87039402	2	NUT, LOCK, 3/8"-16, GB,
24	17412001	4	WASHER, 3/4 ID, H.T.
25	87613197	16	
26	87367	20	WASHER, 1", SAE,
27	09102904	4	SPACER, 1 x 3/4
28	17616020	8	WASHER, 1, Machinery, 14 ga
30	18534227	2	DECAL, Danger
31	18534261	1	DECAL, DMI
32	00148150	2	PIN, SPECIAL, 1 x 7.94
33	09102982	8	SPACER,
34	311863A1	2	REFLECTOR, Red
35	311864A1	2	REFLECTOR, Yellow
36	413-1024	2	BOLT, Hex, 5/8"-11 x 1 1/2", G5, Full Thd,
37	09661455		UAR SHIM, 16 ga
38	09661456		UAR SHIM, 44 ga
39	6395	2	NUT, LOCK, 5/8"-11, GB,
40	429723A1	2	SCREW, 5.19 Thread

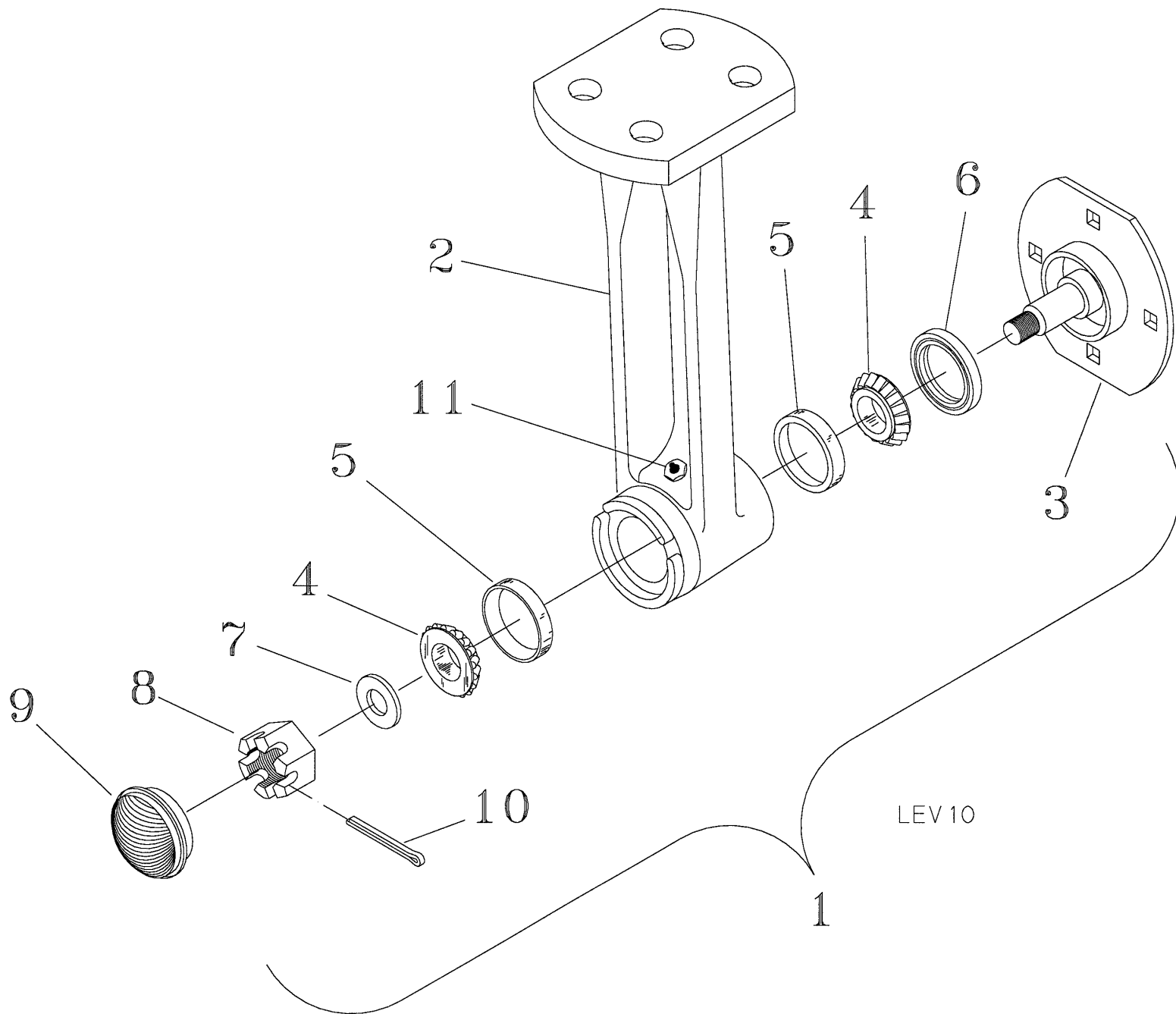


## 9300 ECOLO-TIGER MULCH CHISEL

## 09-14 DISC LEVELER

сылка	Номер детали	Кол-во	Описание
1	09103200	1	LEVELLING DEVICE, Disc Leveler
2	09103300	1	LEVELLING DEVICE, Arm
3	09103250	1	LEVELLING DEVICE, T
4	09103020	1	RETAINER, Long, Retainer
5	24146820	1	SPRING, Compression
6	87328481	2	HUB ASSY., Disc Spindle
7	443628A1	2	DISC, PLOW, 18, Blade
8	87427190	1	BOLT, SPECIAL, 5-5/16, Square
9	16901022	2	SCREW, 5/8 x 6, NC, Hex, A325
10	09103030	1	PLUG, Heat Treated
11	80299	4	WASHER, 5/8", Flat
12	86992216	2	NUT, LOCK, 5/8, NC, Hex
13	425-1410	2	NUT, Jam, 5/8"-11, G5,
14	231-53410	6	NUT, LOCK, Flg, 5/8"-11,
15	425-1010	1	NUT, 5/8"-11, G5,
16	433-816	8	BOLT, CARRIAGE, Short NK, 1/2"-13 x 1", G5,
17	425-108	8	NUT, 1/2"-13, G5,
18	413-1032	4	BOLT, Hex, 5/8"-11 x 2", G5,
19	219-86	1	NIPPLE, LUBE, 1/8" x .62" lg, Drive,
20	17411011	1	WASHER, 5/8, Flat
21	09102020	1	DISC, PLOW, With 1 Blade Complete, Inc. 6 - 7 And 22
21	09102099	1	DISC, PLOW, With 2 Blades Complete, Inc. 6 - 7 And 22
22	09103000	1	BRACKET, Mount Assembly, Without Blades, Spindle Assembly Or Hardware

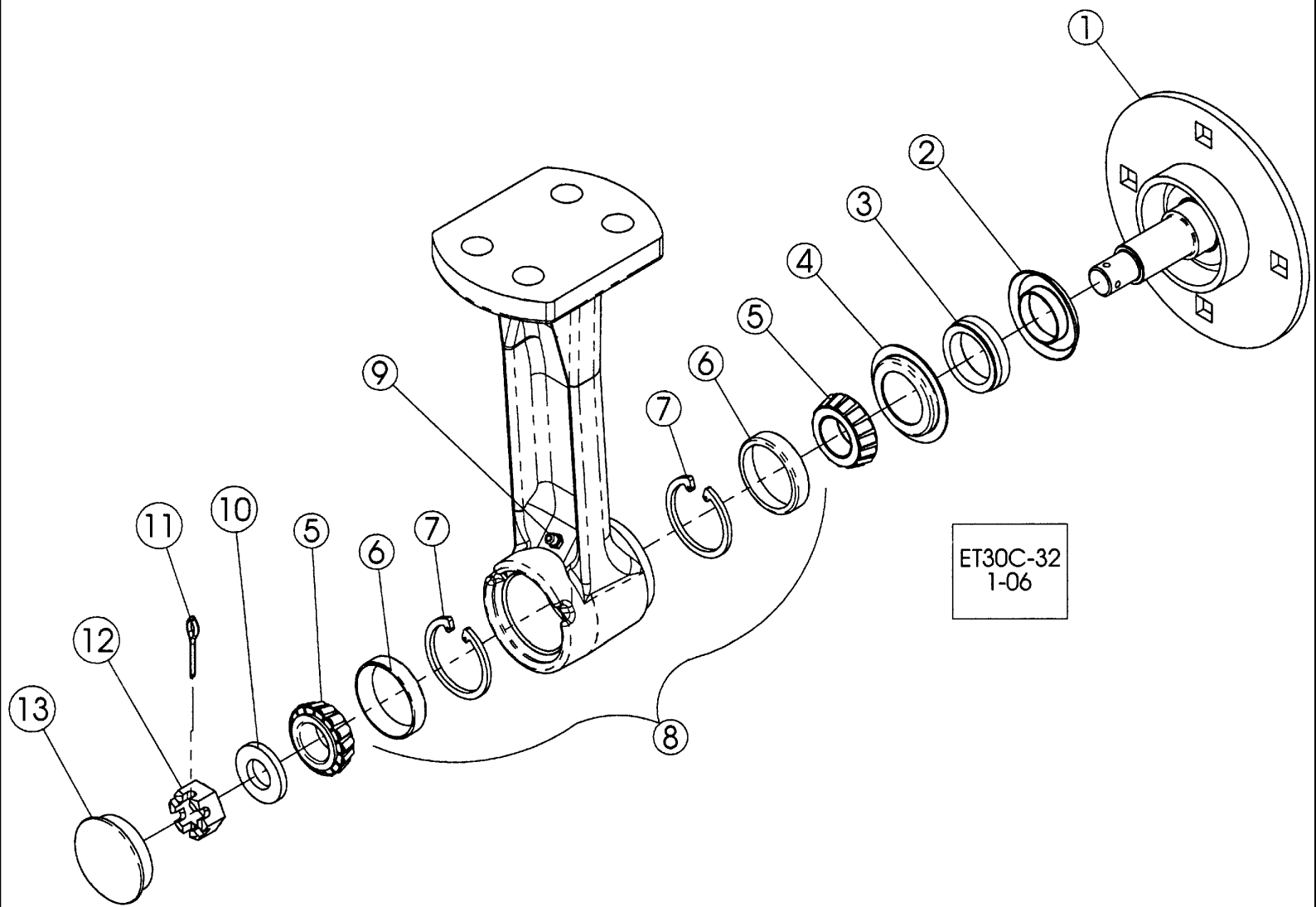




9300 ECOLO-TIGER MULCH CHISEL

09-15 DISC LEVELER HUB AND SPINDLE

сылка	Номер детали	Кол-во	Описание
1	87328481	1	HUB ASSY., Mount Assembly Complete
2	09193150	1	HUB ASSY., With Bearings and Cups
3	09103120	1	DISC, Spindle
4	463911R91	2	BEARING, CONE, 1.00, L44643
5	572564R1	2	BEARING, CUP, 1.980 OD, L44610
6	21931375	1	SEAL, 1.375, CR533468
7	17412001	1	WASHER, 3/4, Flat, H.T.
8	425-1312	1	NUT, SLOTTED, 3/4"-16, G5,
9	28420021	1	CAP, Grease
10	432-816	1	PIN, SPLIT (COTTER), 1/8" x 1",
11	219-87	1	NIPPLE, LUBE, 1/4"-28 x .56" lg, Self-Tap,

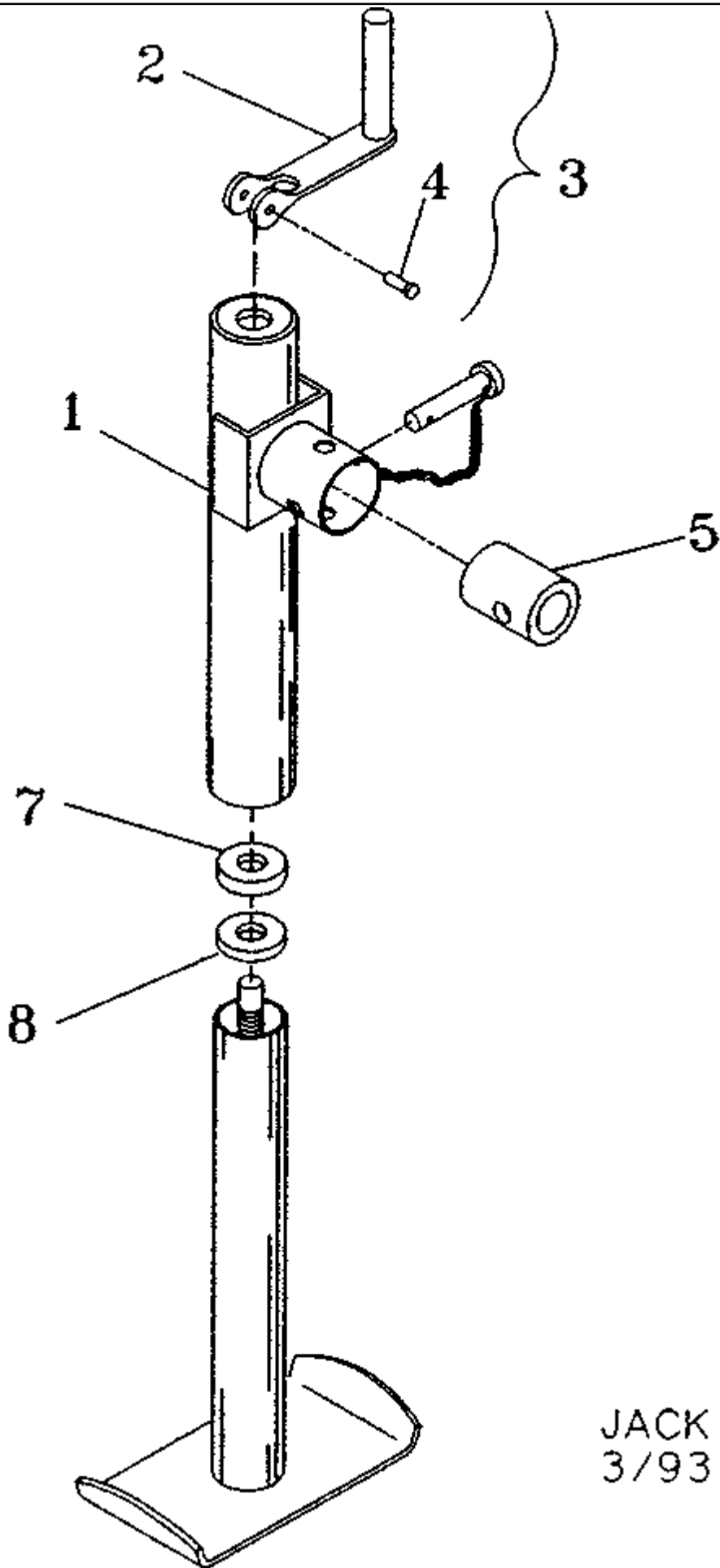


ET30C-32  
1-06

## 9300 ECOLO-TIGER MULCH CHISEL

## 09-16 DISC LEVELER HUB AND SPINDLE 2006 PRODUCTION

сылка	Номер детали	Кол-во	Описание
1	87377044	1	STUB AXLE/STRG.SPINDLE, Complete
2	87328282	1	SEAL, Counterface
3	87328281	1	SEAL, V
4	87328280	1	RETAINER, SEAL,
5	463911R91	2	BEARING, CONE, 1.00 Bore, L44643
6	572564R1	2	BEARING, CUP, 1.980
7	14610208	2	RETAINER, Snap Ring, 2.078 OD x .125
8	20092001	1	AXLE, Disc Spindle Machine
9	219-87	1	NIPPLE, LUBE, 1/4"-28 x .56" lg, Self-Tap,
10	17412001	1	WASHER, .75 ID, HT, Black
11	432-816	1	PIN, SPLIT (COTTER), 1/8" x 1",
12	425-1312	1	NUT, SLOTTED, 3/4"-16, G5,
13	28420021	1	CAP, Grease

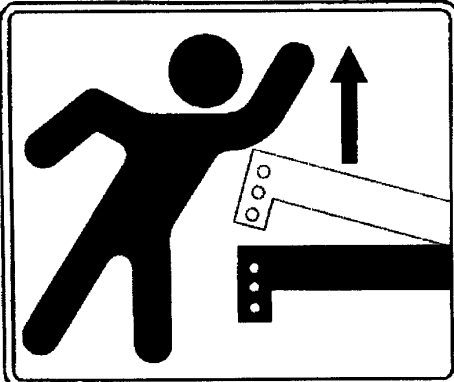


JACK  
3/93

## 9300 ECOLO-TIGER MULCH CHISEL

## 09-17 JACK ASSEMBLY

сылка	Номер детали	Кол-во	Описание
1	32230000	1	JACK, 3000#
2	NSS	1	NOT SERVICED SEPARATELY, Jack Handle
3	32230100	1	PACKAGE, Handle Replacment, Inc. 2, 4 , And 9
4	NSS	1	NOT SERVICED SEPARATELY, 1/4 x 1, NC, Standard, Hex Bolt
5	09311040	1	BUSHING, Mounting
7	NSS	1	NOT SERVICED SEPARATELY, Thrust Bearing
8	NSS	1	NOT SERVICED SEPARATELY, Thrust Washer
9	NSS	1	NOT SERVICED SEPARATELY, 1/4, Lock Nut



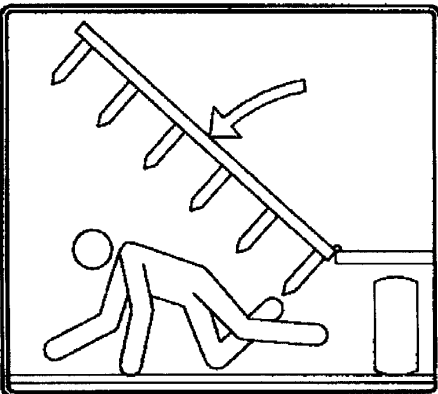
## ! WARNING

### UNHITCHING HAZARD

Tongue raises rapidly when unhitched. To avoid bodily injury, lower implement to ground before unhitching.

18534140

1



## ! DANGER

### CRUSHING HAZARD

To avoid injury or death keep everyone clear of machine when folding or unfolding wings

18534227

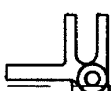
2

**THIS ECOLO-TIGER MUST BE LEVEL WHEN OPERATING. READ INSTRUCTIONS BELOW TO OBTAIN A LEVEL OPERATING CONDITION.**


- 1.) **HOOKING TO TRACTOR**-COMPARE SHANK DEPTH TO TRACTOR DRAWBAR HEIGHT. PLACE CLEVIS IN HOLE WITH CLEVIS POINTING UP/DOWN.
- 2.) SET DEPTH OF SHANKS BY USING DEPTH SEGMENTS ON CYLINDERS. (START WITH 2" WIDE SEGMENT) FOR EVERY 1/2" OF SEGMENT, MACHINE WILL PENETRATE GROUND APPROXIMATELY 1-1/2" LESS

- 1.) **WHILE MACHINE IS IN MOTION**-UNDER FULL LOAD, HAVE SOMEONE VIEW MACHINE FROM THE SIDE TO BE SURE TOP OF PULL FRAME IS PARALLEL (LEVEL) TO GROUND
- 2.) IF FRONT OF PULL FRAME IS LOW THEN LOWER HITCH CASTING (3") OR FLIP OVER (1 1/2")
- 3.) IF FRONT OF PULL FRAME IS HIGH THEN RAISE HITCH CASTING ONE HOLE (3") OR FLIP CLEVIS OVER (1-1/2")

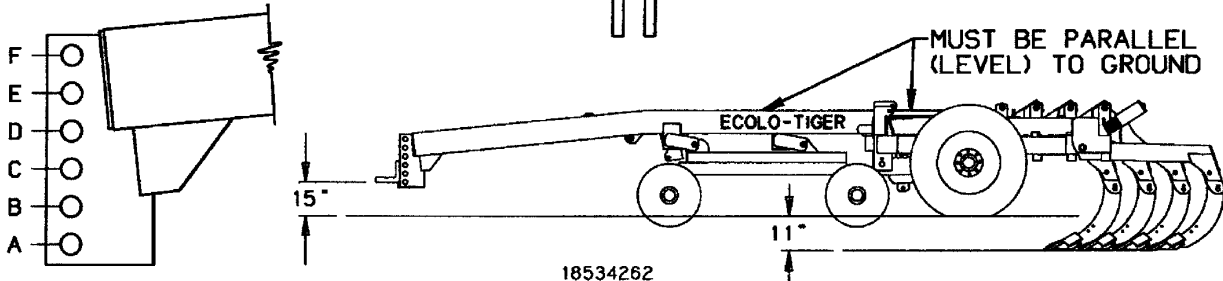
SHANK DEPTH	TRACTOR DRAWBAR HEIGHT OF BOTTOM STRAP					
	14"-15"	16"-17"	18"-19"	20"-21"	22"-23"	24"-25"
10"-11"	A UP	B UP	C DOWN	D DOWN	D UP	E DOWN
12"-13"	B UP	C DOWN	D DOWN	D UP	E DOWN	F DOWN



- CLEVIS UP - LOWERS HITCH 1-1/2"



- CLEVIS DOWN - RAISES HITCH 1-1/2"



18534262

3

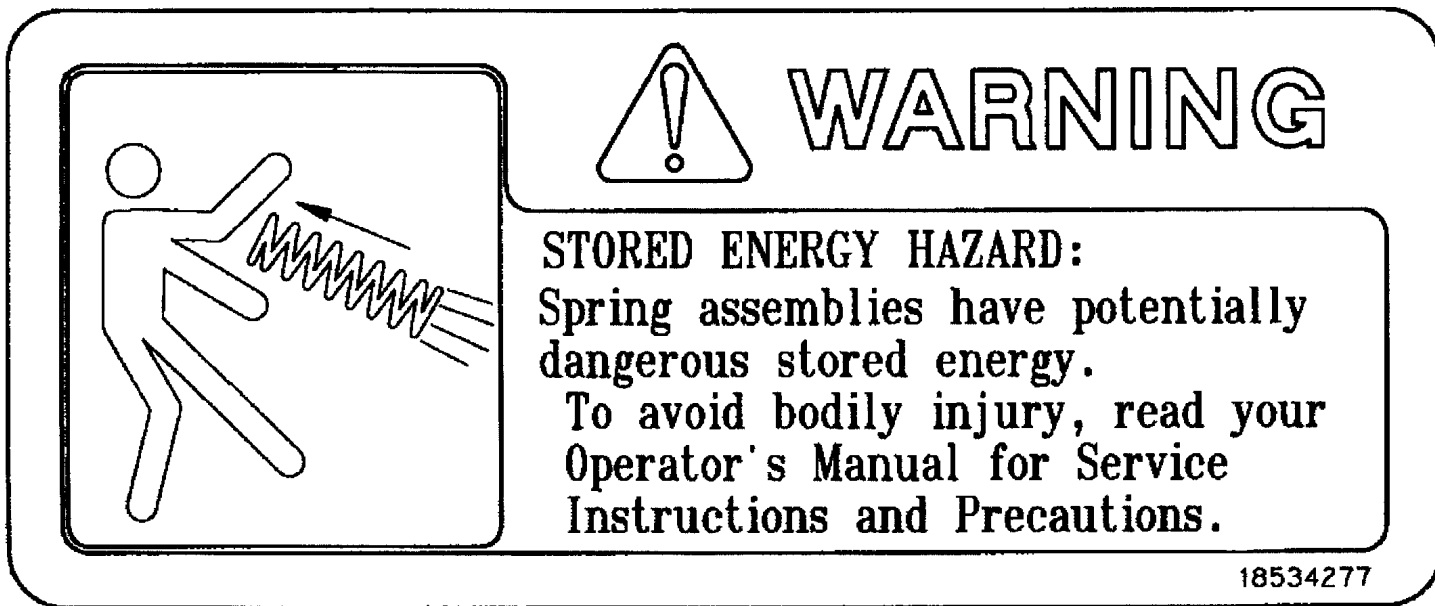
9300 ECOLO-TIGER MULCH CHISEL

09-18 SAFETY SIGNS

сылка	Номер детали	Кол-во	Описание
1	18534140	1	DECAL, Unhitching
2	18534227	1	DECAL, Crushing
3	18534262	1	DECAL, Leveling



1



The sign features a pictogram on the left showing a person being struck by a spring. To the right of the pictogram is a warning triangle with an exclamation mark, followed by the word "WARNING" in large, bold, outlined letters. Below this, the text reads: "STORED ENERGY HAZARD: Spring assemblies have potentially dangerous stored energy. To avoid bodily injury, read your Operator's Manual for Service Instructions and Precautions." The number "18534277" is printed in the bottom right corner.

**WARNING**

**STORED ENERGY HAZARD:**  
Spring assemblies have potentially dangerous stored energy.  
To avoid bodily injury, read your Operator's Manual for Service Instructions and Precautions.

18534277

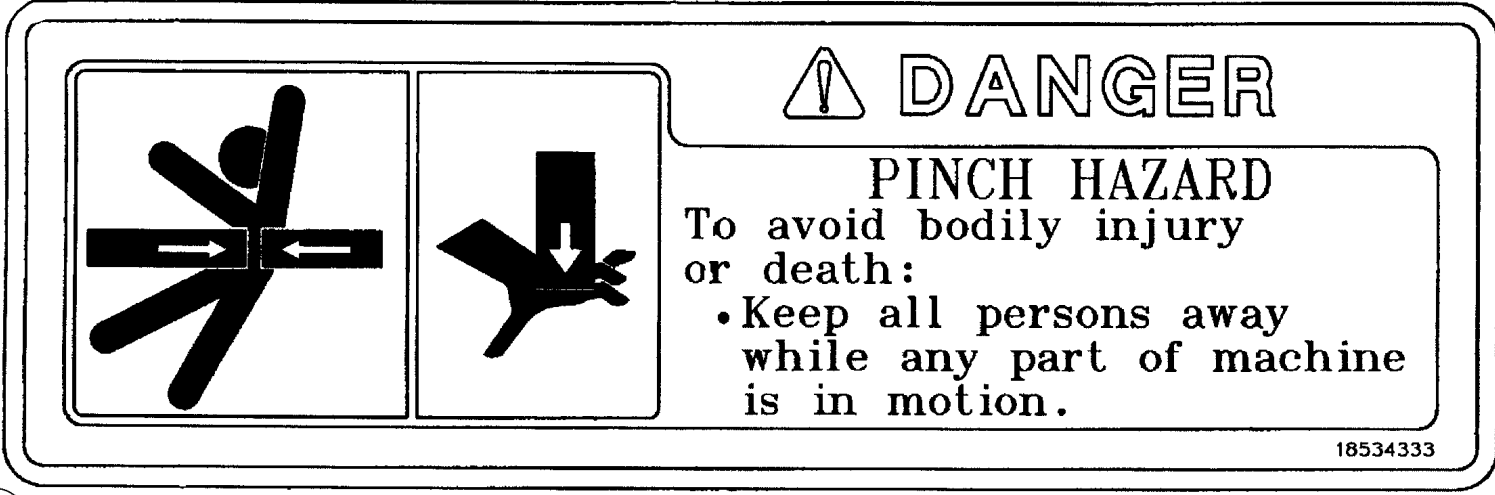
2



The logo consists of the letters "DMI" in a bold, serif font, enclosed within a decorative, shield-like border with a hatched pattern.

**DMI** Helping Plants Thrive®

3



The sign features two pictograms on the left: one showing a person being struck by a rotating blade, and another showing a hand being caught between two moving parts. To the right of the pictograms is a warning triangle with an exclamation mark, followed by the word "DANGER" in large, bold, outlined letters. Below this, the text reads: "PINCH HAZARD To avoid bodily injury or death: • Keep all persons away while any part of machine is in motion." The number "18534333" is printed in the bottom right corner.

**DANGER**

**PINCH HAZARD**  
To avoid bodily injury or death:  
• Keep all persons away while any part of machine is in motion.

18534333

9300 ECOLO-TIGER MULCH CHISEL

09-19 SAFETY SIGNS

сылка	Номер детали	Кол-во	Описание
1	18534277	1	DECAL, Stored Energy
2	18534227	1	DECAL, Helping Plants Thrive
3	18534333	1	DECAL, Pinch



①



②



③



④

## 9300 ECOLO-TIGER MULCH CHISEL

## 09-20 DECALS

сылка	Номер детали	Кол-во	Описание
1	87457429	1	DECAL, 9300, Case IH, Rh, Used On 2006 And Prior Models
2	87457430	1	DECAL, 9300, Case IH, Lh, Used On 2006 And Prior Models
3	87594309	1	DECAL, 9300, Case IH, Rh, Used On 2007 And After Models
4	87594310	1	DECAL, 9300, Case IH, Lh, Used On 2007 And After Models

